

# True Day/Night 700 TVL Box Camera

## Dual Voltage

# CQ3TP7022

### KEY FEATURES

- 1/3" Sony Effio Advanced High Sensitivity CCD
- Day/Night mode (removable cut filter)
- OSD adjustment
- Service jack for second video out for easy set-up
- Dual voltage
- Lens not included



Replacing **deView**'s existing range of bodied cameras, this is a product that takes analogue video to the next level. Increasing the effective picture size to 976 x 582, giving a crisp, high resolution image expected for modern day applications. With TDN capability, this product delivers fantastic pictures even in low light.

### Compliance

#### Emissions

##### CE:

- EN 55022:2010/AC:2011
- EN 55011:2009/A1:2010

##### FCC:

- FCC 47 CFR Part 15 Subpart B
- ICES-003 Issue 5
- ANSI C63.4-2009

##### C-Tick:

- AS/NZS CISPR22: 2009+A1:2010

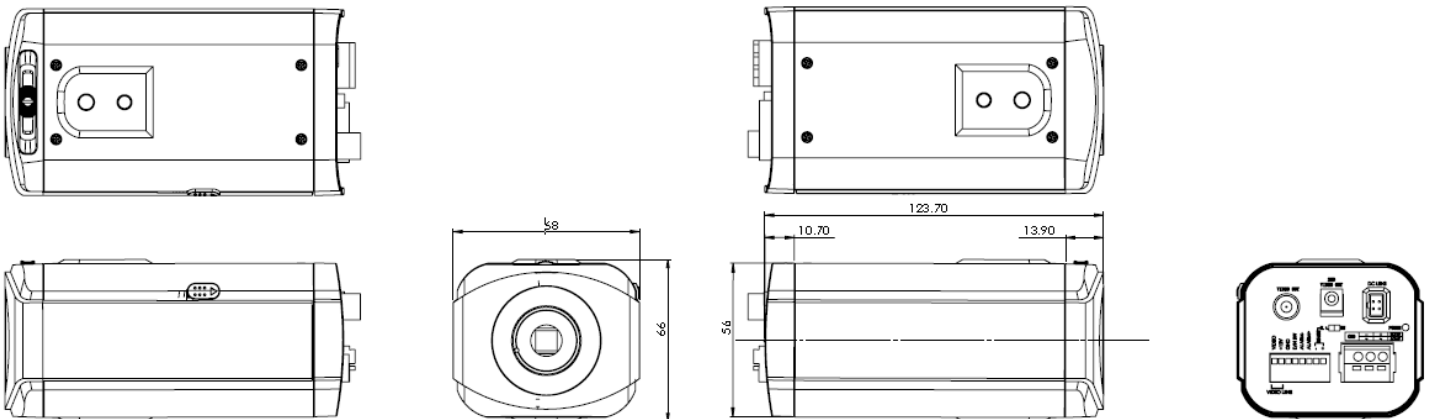
#### Immunity:

##### CE:

- EN 55024:2010
- EN50130-4:2011

# Specifications

General	
Image Size	Sony 1/3" Super HAD-II
Effective Picture Element	976(H)x582(V)
Scanning Frequency	50Hz
Operation Temperature	-10°C~+50°C
Storage Temperature	-20°C~+60°C
AC power supply	24v ± 20%
DC power supply	12v ± 10%
Output Terminal	1.0 Vpp 75 Ohm BNC Unbalance
Input Terminal	Push Connector
Power Consumption	Normal:2.2W
Lens	Auto IRIS Lens/Manual Lens/Video Lens
Housing colour	RAL9010
Housing material	Aluminium
Weight	270g
Functional Specification	
Exposure Control	Gain Control, Shutter Control, Wide Dynamic, Manual
Electrical Shutter	1/50 - 1/10000
Slower Shutter(Sense Up)	Auto
Shutter Speed	1/50~1/10000
Shutter Control(MES)	X256, X128 ,X64, X32, X16,X8, X4, X2 ,1/50 (1/60), 1/120 (1/100), 1/250, 1/500, 1/1K, 1/2K, 1/4K, 1/10K
Adaptive Tone Reproduction(ATR)	OFF / LOW / MID / HIGH
Highlight Compensation(HLC)	ON/OFF
Backlight Compensation(BLC)	Full Range
AGC Gain Control	44.8 dB
Day/Night Control	TDN(AUTO ,.COLOR ,NIGHT)
White Balance	ATW / Manual / Push / Push Lock / USER1.2
Auto White Balance Range(AWB)	Indoor: 1800K~10500K Outdoor: 6500K~10500K
Wide Dynamic Range(ATR)	OFF /ATR-EX
SYNC System	INT/LL
AGC Control	Auto/Manual
Colour Rolling Suppression	On/Off
Defog	On/Off
Digital Image Stabilizer	On/Off
Digital Zoom	255X Max
Motion Detection	4 Areas
Privacy Zone	Up to 15 masks
Blemish Compensation	Static(64 points) &Dynamic
DIS	On/Off
Digital Noise Reduction	3D-NR
2nd Video Output	Yes
OSD LANGUAGE	English, Japanese , Deutsch , French, Russian, Spanish, Portuguese and Simplified Chinese
Video	
Resolution	700 TVL
Minimum Illumination	0.3Lux(F1.2,50IRE, AGC ON)
Video Output	Composite Output
S/N Ratio	>48dB
White Clip	115IRE+/-5
Pedestal Level	2.5IRE+/-2.5
SYNC Level	42 IRE +/-2
Burst Level	42 IRE +/-2
H Aperture	10 IRE (r 0.45 100IRE, Video output)
V Aperture	10 IRE (r 0.45 100IRE, Video output)
Gamma Compensation	0.45



deView Europe  
 Falcon Court, Petre Road  
 Clayton le Moors, Lancashire  
 BB5 5JZ, United Kingdom  
 Phone: +44 (0) 1254 302 490  
 Email: sales@devieweurope.com

Fax: +44 (0) 1254 302 491  
 Web: www.devieweurope.com

