

# 700 TVL Specialist ATM Camera 2.5mm Fixed Lens, Dual Voltage, WDR

## ATMP7W25



### KEY FEATURES

- 1/3" Sony Effio Advanced High Sensitivity CCD
- OSD adjustment
- Wide Dynamic Range
- Dual voltage
- Automatic defogging function
- Digital Noise Reduction for low light images
- Optional bracket for Wincor machines available

**deView** presents what is truly the ultimate ATM camera, with the best possible Wide Dynamic Range image you will find. Increasing the effective picture size to 976 x 582, and with true **Wide Dynamic Range** capability, these cameras give a crisp, clear detailed, high resolution image even in the most challenging lighting conditions.

### Compliance

#### Emissions

#### **CE:**

- EN 55022:2010/AC:2011
- EN 55011:2009/A1:2010

#### **FCC:**

- FCC 47 CFR Part 15 Subpart B
- ICES-003 Issue 5
- ANSI C63.4-2009

#### **C-Tick:**

- AS/NZS CISPR22: 2009+A1:2010

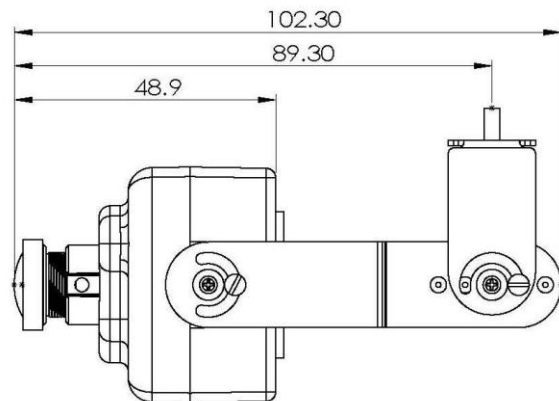
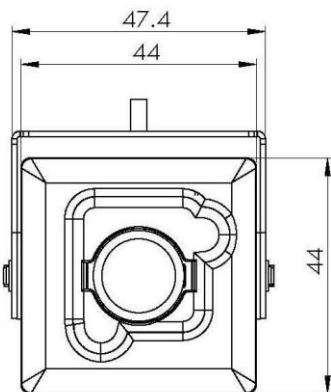
#### Immunity:

#### **CE:**

- EN 55024:2010
- EN50130-4:2011

# Specifications

General	
Image Size	Sony 1/3" Super HAD-II
Lens	2.5mm fixed
Lens F value	F2.0
Viewing angle (min / max)	H: 115.5°, V: 153.9°
Effective Picture Element	976(H)x582(V)
Scanning Frequency	50Hz
Operation Temperature	-10°C~+50°C
Storage Temperature	-20°C~+60°C
AC power supply	24v ± 20%
DC power supply	12v ± 10%
Output Terminal	1.0 Vpp 75 Ohm BNC Unbalance
Input Terminal	DC Jack with fly lead attached
Power Consumption	Normal:2.2W
Housing colour	Black
Housing material	Aluminium
Weight	530g
Functional Specification	
Exposure Control	Gain Control, Shutter Control, Wide Dynamic, Manual
Electrical Shutter	1/50 - 1/10000
Slower Shutter(Sense Up)	Auto
Shutter Speed	1/50~1/10000
Shutter Control(MES)	X256, X128 ,X64, X32, X16,X8, X4, X2 ,1/50 (1/60), 1/120 (1/100), 1/250, 1/500, 1/1K, 1/2K, 1/4K, 1/10K
Adaptive Tone Reproduction(ATR)	OFF / LOW / MID / HIGH
Highlight Compensation(HLC)	ON/OFF
Backlight Compensation(BLC)	Full Range
AGC Gain Control	44.8 dB
Day/Night Control	SDN(AUTO ,COLOR ,NIGHT)
White Balance	ATW / Manual / Push / Push Lock / USER1,2
Auto White Balance Range(AWB)	Indoor: 1800K~10500K Outdoor: 6500K~10500K
Wide Dynamic Range(ATR)	OFF / ATR-EX/WDR
SYNC System	INT/LL
AGC Control	Auto/Manual
Colour Rolling Suppression	On/Off
Defog	On/Off
Digital Image Stabilizer	On/Off
Digital Zoom	255X Max
Motion Detection	4 Areas
Privacy Zone	Up to 15 masks
Blemish Compensation	Static(64 points) &Dynamic
DIS	On/Off
Digital Noise Reduction	3D-NR
2nd Video Output	Yes
OSD LANGUAGE	English, Japanese , Deutsch , French, Russian, Spanish, Portuguese and Simplified Chinese
Video	
Resolution	700 TVL
Minimum Illumination	0.3Lux(F1.2,50IRE, AGC ON)
Video Output	Composite Output
S/N Ratio	>48dB
White Clip	115IRE+/-5
Pedestal Level	2.5IRE+/-2.5
SYNC Level	42 IRE +/-2
Burst Level	42 IRE +/-2
H Aperture	10 IRE (r 0.45 100IRE, Video output)
V Aperture	10 IRE (r 0.45 100IRE, Video output)
Gamma Compensation	0.45



deView Europe  
 Falcon Court, Petre Road  
 Clayton le Moors, Lancashire  
 BB5 5JZ, United Kingdom  
 Phone: +44 (0) 1254 302 490  
 Email: sales@deviueurope.com

Fax: +44 (0) 1254 302 491  
 Web: www.deviueurope.com

