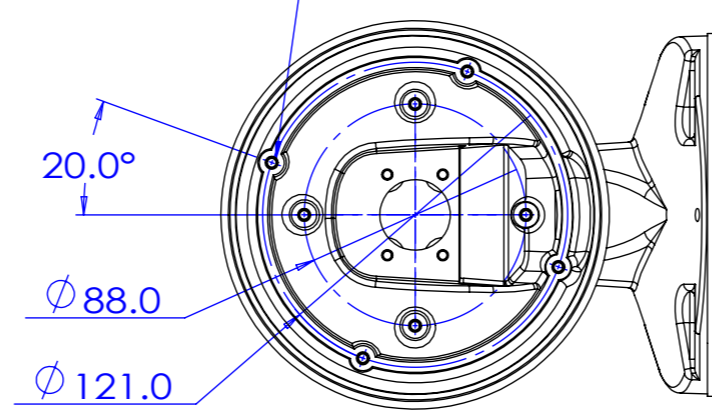


8-TAP M4.0 xP0.7



DATE	SCALE	MATERIAL	DWG-NO.	REV.
2008.06.05	1 : 3			A
		CHECKED	APPROVED	DESCRIPTION
		영입 제조 QC 회로		
				WALL MOUNT BRACKET