

**Precautions**

To prevent damage to your dome camera or injury to yourself or to others, read and comply with the safety precautions in the enclosure installation and camera sheet before installation and use.

**Installing the Pendant Mount**

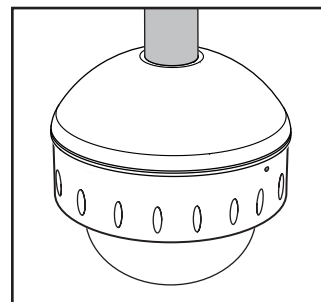
**1. Remove the Dome Cover**

**2. Open the Base Mounting Holes**

Carefully open the three base mounting holes (used for securing the enclosure to the pendant mount).

**3. Install the Pendant Mount onto Location.**

Screw the pendant mount hemisphere onto a suitable conduit that has 3/4" NPT threads. The pendant mount is also designed to work with compatible wall mounts, which have a 3/4" thread. See page overleaf for details.



Indoor dome camera installed using the pendant mount.

**4. Connecting the Cables**

Connect the video and power cables, limit the incoming cable length in the pendant cap to approximately 6". Arrange the cable so they lie in the pendant mount.

**5. Fit the Dome Base onto Pendant Mount**

Place the dome base on pendant mount and align the three mounting pillars within the pendant mount. Insert and tighten the self tapping screws.

**6. Adjust the Camera Position and Test**

Adjust the camera to the required position and test. See detail instructions in enclosure and camera installation sheet.

**7. Install the Camera Liner and Dome Cover**

Carefully fit the camera liner on the camera module. Install the dome cover and secure with the supplied anti-tamper screws if required.

The Pendant Mount is designed for use with the Indoor Mini-Dome Camera and allows installation to 3/4" threaded conduit or wall mounts. Please refer to the page overleaf for detail information.

**Packing List**

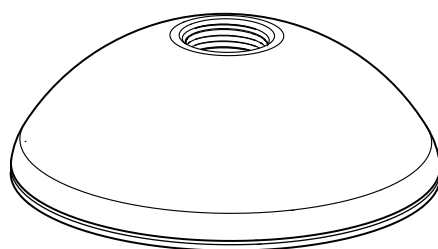
- Pendant Mount x 1
- Self Tapping Screws x 3

Please visit our website for more information:  
[www.devieurope.com](http://www.devieurope.com)



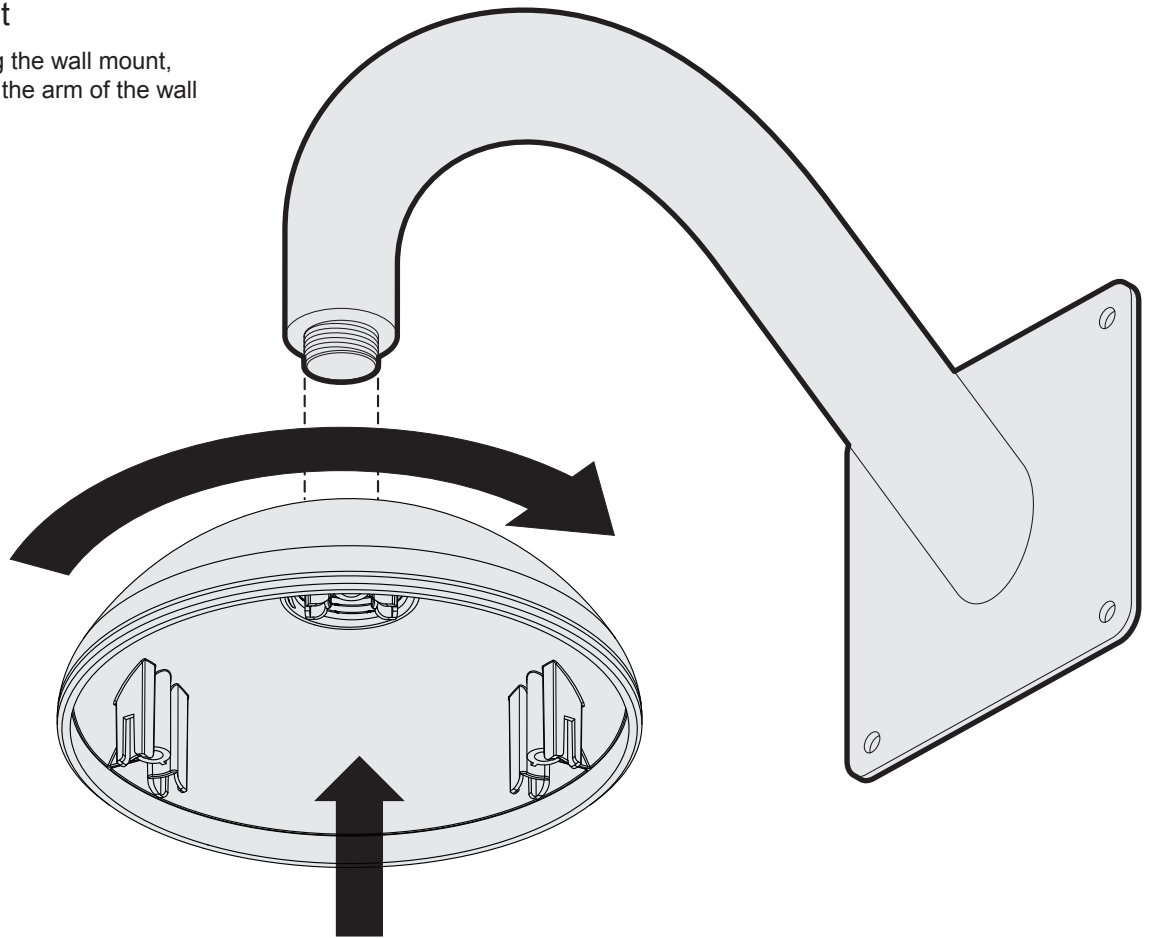
MD4-PC/ V531-DE007-S00  
 Ver. 03/2008

**Indoor Mini Dome  
 Pendant Mount Installation Sheet**



## Using the wall mount

- 1 Before or after mounting the wall mount, screw the pendant onto the arm of the wall mount.



- 2 From the surface of the wall, you need to allow about 18" (457mm) of cable to the tip of the BNC connector on the video lead and a similar length for the power lead.

- 3 Within the dome enclosure, pull all of the slack of the camera (video and power) leads into the enclosure. Leave only a bare minimum of the leads exposed through the base access entry, sufficient to connect with the cables that you have threaded through the wall mount arm.

- 4 Connect the video and power leads, and then push the linked BNC video connectors into the enclosure body. Fold the power connectors externally to the enclosure and place the enclosure into the pendant hemisphere.

- 5 Follow the securing instructions overleaf, from step 5.

