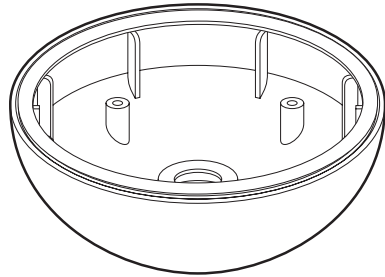


Indoor/Outdoor Dome Camera Pendant Mount Installation Guide



Packing list

In addition to this installation sheet, your package should contain:

- 1 x Pendant adaptor
- 4 x M4 self tapping screws
- 4 x O-ring seals

Specifications

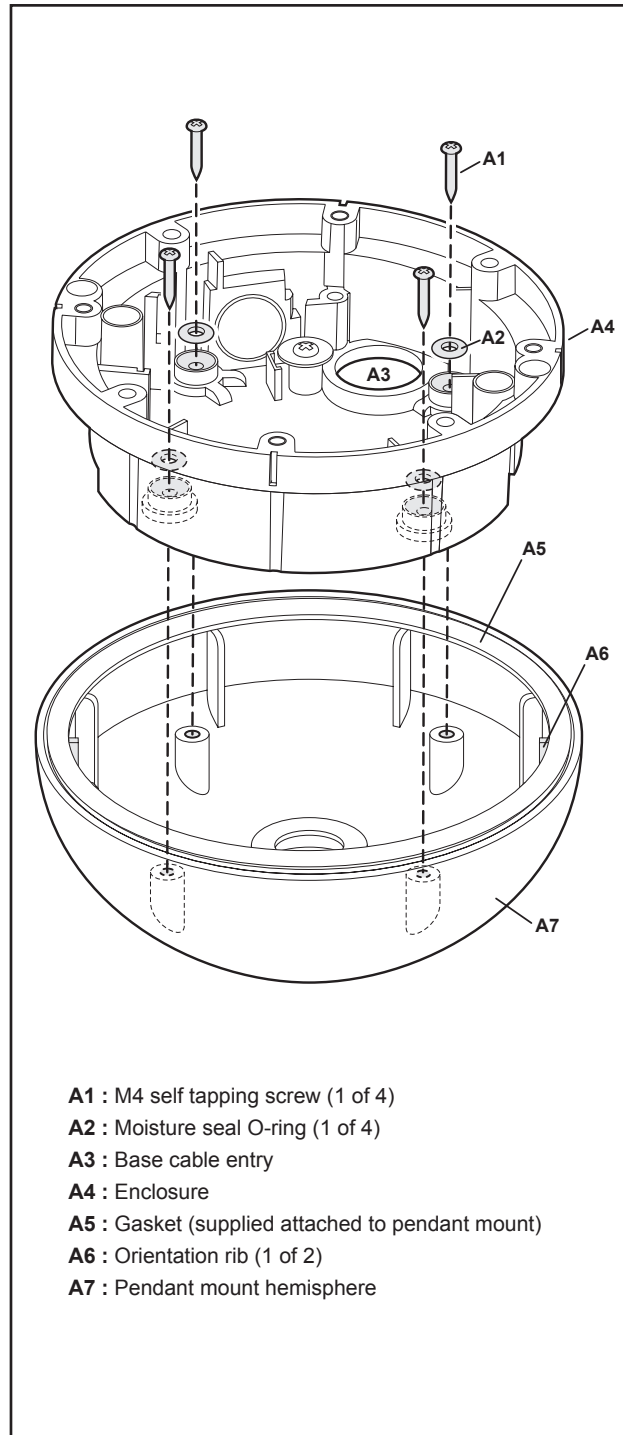
- Weight: 8.4oz(240g)
- Mechanical dimensions: 5.5" x 2.75" (140mm x 70mm)



Product specifications subject to change without notice.
Certain product names mentioned herein may be trade names
and/or registered trademarks of other companies.

Please visit our website for more information:
www.devieweurope.com

VDP20 / V531-DC020-S00
Ver. 03/2008



- A1** : M4 self tapping screw (1 of 4)
- A2** : Moisture seal O-ring (1 of 4)
- A3** : Base cable entry
- A4** : Enclosure
- A5** : Gasket (supplied attached to pendant mount)
- A6** : Orientation rib (1 of 2)
- A7** : Pendant mount hemisphere

Installing the pendant mount

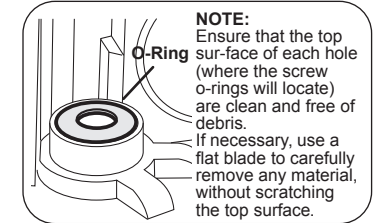
1 Remove the dome cover and camera assembly (if fitted)

Follow the instructions provided with the dome enclosure to remove the cover and the camera assembly.

Note: When using the pendant mount, the large rubber gasket and outer ring supplied with the dome enclosure (used when surface mounting) are not required and must be removed.

2 Open the enclosure base holes

Carefully open the four base mounting holes (used for securing the enclosure **A4** to the pendant mount **A7**) and also the base cable entry **A3**.



3 Place the pendant mount hemisphere in position

Screw the pendant mount hemisphere onto a suitable conduit that has a 3/4" NPT thread. The pendant mount is also designed to work with compatible wall mounts, which have a 3/4" thread.

For damp location installations:

Use PTFE tape on the screw thread to ensure a tight moisture proof seal. If the power and video wiring is not already in place through the conduit, complete that stage now. Ensure that cable entry from conduit is adequately sealed with a silicone sealant (or similar) to prevent condensation from inside the conduit running down into the pendant enclosure.

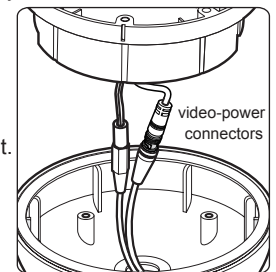
4 Place the enclosure into the pendant mount hemisphere

*Note: Ensure that the two locking arms of the enclosure are fully retracted (please see enclosure installation sheet for details). Also, ensure that the large rubber gasket (supplied with the enclosure) is removed and that the gasket **A5** (supplied with the pendant mount) is seated correctly on the inner rim of the pendant mount hemisphere.*

The enclosure will fit to the pendant mount only in one of two orientations due to the two extra ribs **A6** which must be aligned with the grooves that are used by the two locking arms. Feed the power and video wiring through the enclosure base cable entry.

5 Secure the enclosure using the four self tapping screws

Connect the video and power cables, limit the incoming cable length in the pendant mount. Arrange the cable so they lie in the pendant mount. Use the four supplied M4 self tapping screws **A1** (each with an o-ring **A2** fitted to form a moisture seal) to secure the enclosure to the pendant mount hemisphere.



6 Fit the camera assembly and replace the dome cover

Follow the instructions provided with the dome enclosure (and camera) to fit the camera assembly, connect the wiring, set-up the camera and replace the dome cover.