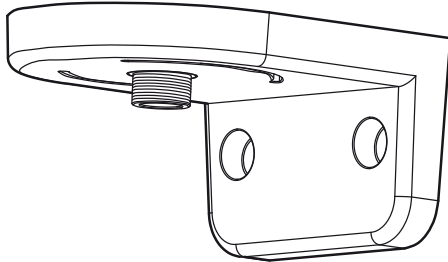


# Indoor Dome Camera Wall Mount Installation Sheet



## Pack List

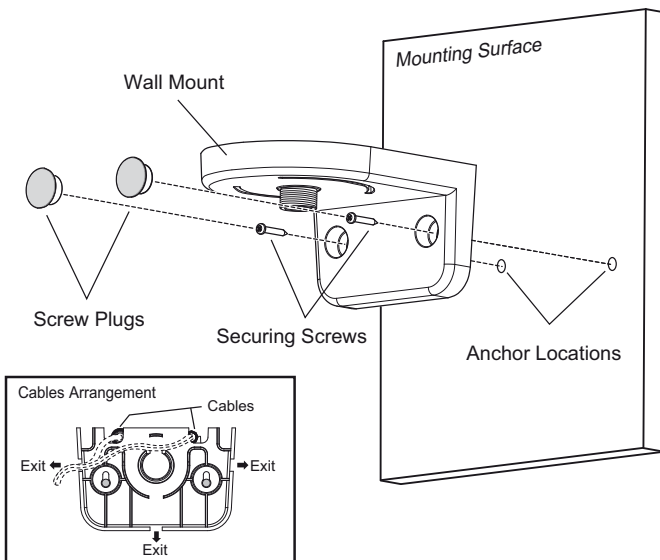
- Wall Mount x 1
- Mount Lid x 1
- Screw Plug x 3
- Screw Pack x 1
- Cable lockdown x 2



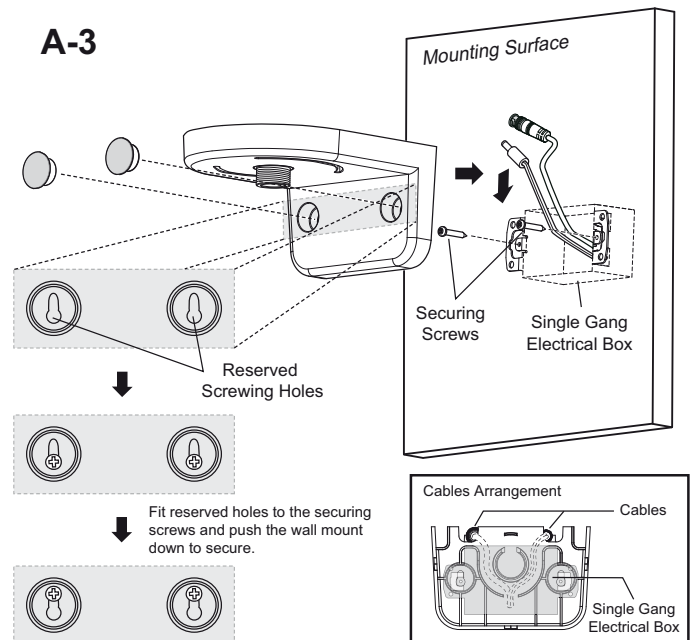
Please visit our website for more information:  
[www.deiveurope.com](http://www.deiveurope.com)

MD4-WM/ V531-DExxx-Sxx  
Ver. 02/2008

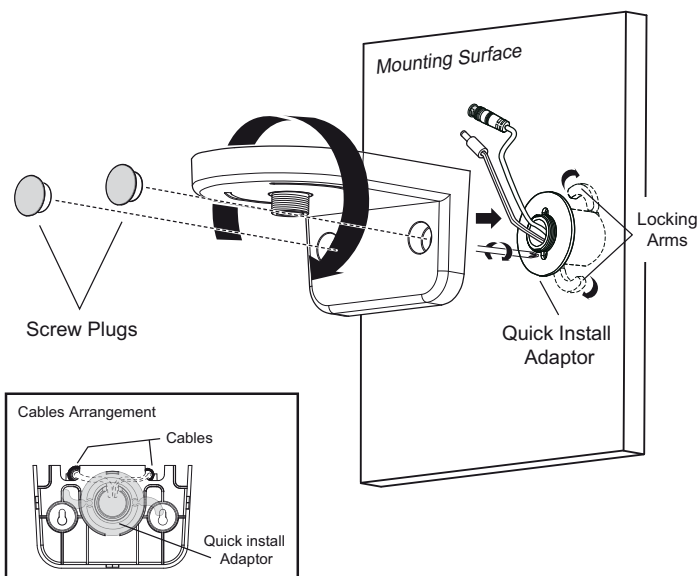
## A-1



## A-3



## A-2



## A. To Install Your Wall Mount You Can:

Choose one of the following installation procedures that suits your need the best.

### A-1. Install directly to mounting surface:

Locate the wall mount on the required position. Use screws and mounting plugs (as appropriate to the mounting surfaces) to fix the wall mount. Access to the screw positions is gained through the open front apertures of the wall mount. Press the screw plugs into the openings to cover the screws.

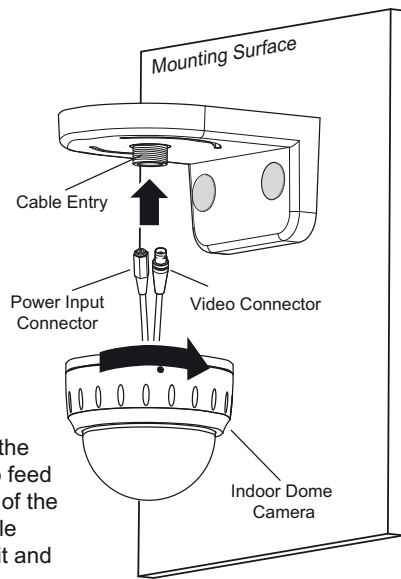
### A-2. Install the wall mount with quick install adaptor:

Create a 1.5" (38mm) hole on the required mounting position then insert the adaptor. To fasten, rotate out the locking arms by turning the screws clockwise.

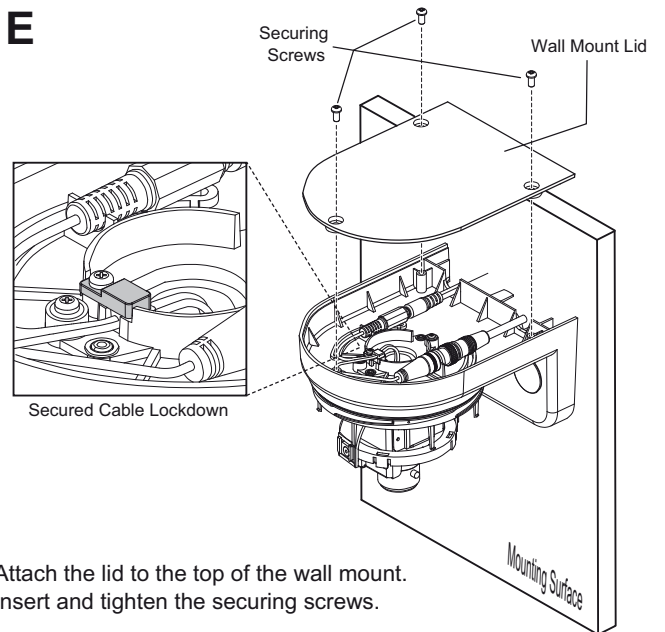
Insert the wall mount onto the adaptor and rotate clockwise to tighten. Press the screw plugs into the openings to cover the screws.

### A-3. Install the wall mount on a single gang electrical box:

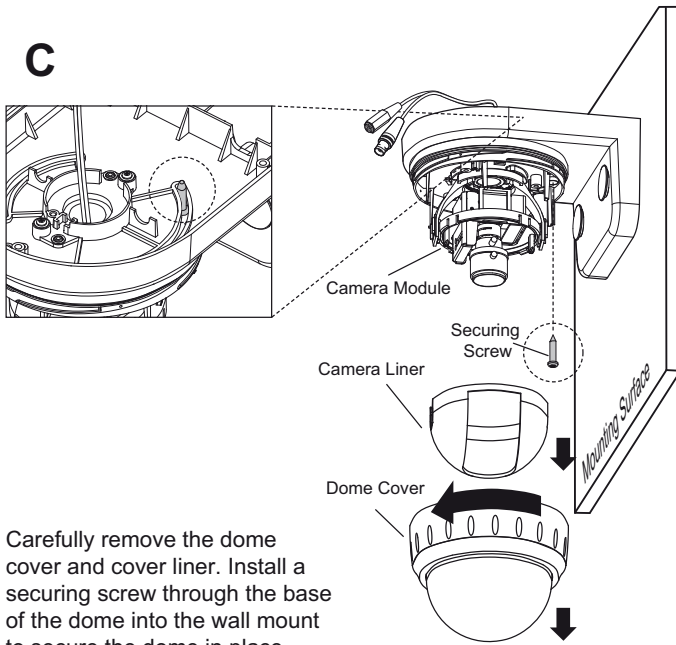
Install two mounting screws in the electrical box. Hang the wall mount onto the electrical box and tighten the screws to complete installation. Press the screw plugs into the openings to cover the screws.

**B**

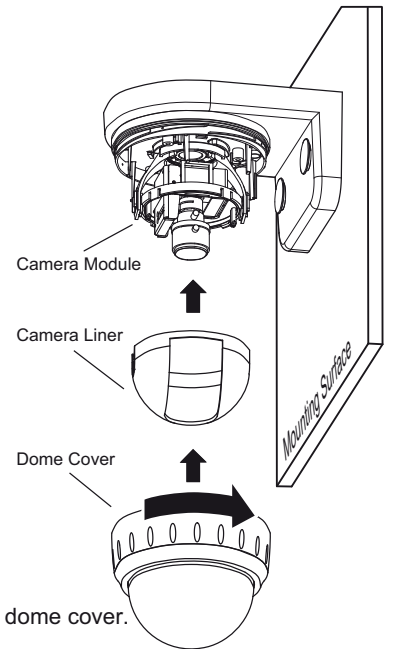
To install the camera onto the wall mount you will need to feed the video and power leads of the mini dome through the cable entry on the mount. Then fit and tighten the dome camera by rotating clockwise

**E**

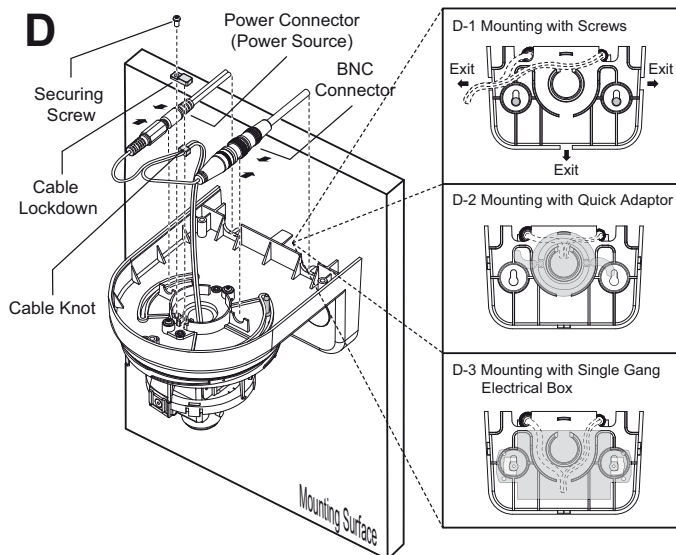
Attach the lid to the top of the wall mount. Insert and tighten the securing screws.

**C**

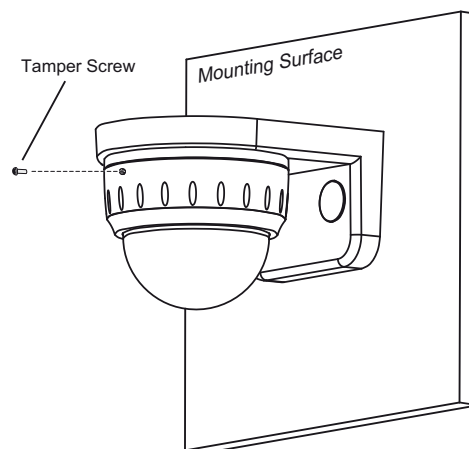
Carefully remove the dome cover and cover liner. Install a securing screw through the base of the dome into the wall mount to secure the dome in place.

**F**

Reinstall camera liner and dome cover.

**D**

Arrange and settle the cable lines on designed tracks on the rear board (see D-1, D-2 and D-3 for your reference). Connect power and video cables. A cable lockdown is provided to secure the wires within the mount.

**G**

Insert and tighten the tamper screw to complete installation.