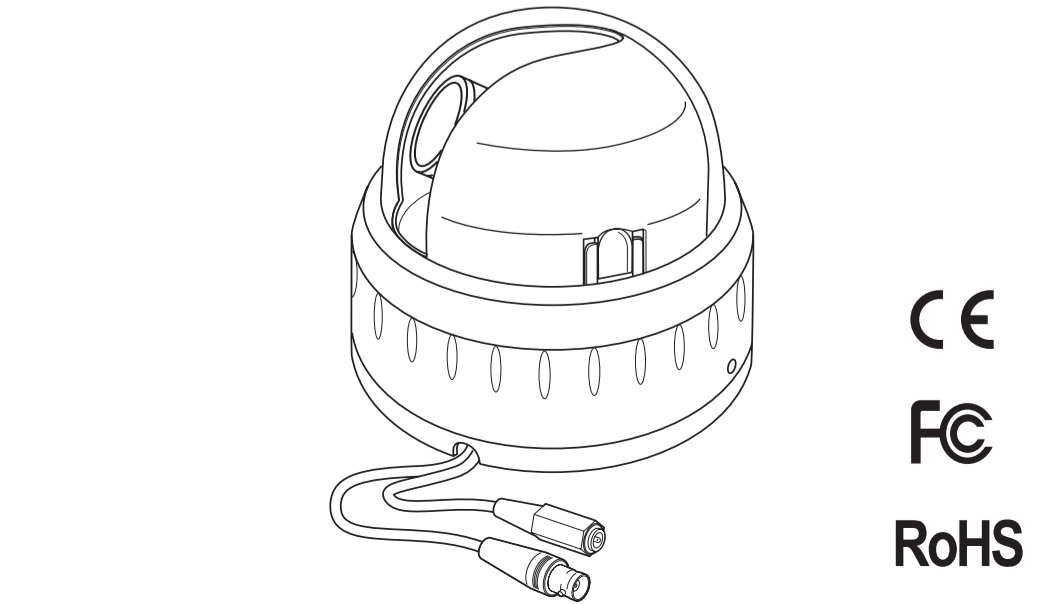


**High Resolution Varifocal Lens  
Indoor Mini Dome  
Enclosure Installation Sheet**



**Precautions**

- Do not attempt to disassemble the camera module mounted within the dome. There are no user-serviceable parts within the camera module. Refer servicing to qualified service personnel.
- Handle the camera with care. Avoid dropping or shaking it. Improper handling or storage could damage the camera.
- Irrespective of whether the camera is in use or not, never face it towards the sun. Use caution when operating the camera in the vicinity of spotlights or other bright lights and light reflecting objects.
- Do not operate the camera beyond its temperature, humidity or power source ratings. Please refer to the environmental information provided overleaf.

**Methods for mounting the enclosure**

There are two ways to mount the dome enclosure:  
A: By using the base mounting holes (C2)  
B: By using the quick install adaptor (B)

**Packing list**

- In addition to this installation sheet:
- Quick install adaptor x 1
  - Torx driver x 1
  - D5 fixing screws x 3
  - T6 fixing screw (for T6 fixing screw) x 1
  - Wall plugs x 3
  - Power lead x 1
  - Cable entry sealing plug (1/2", for quick install adaptor use) x 1
  - Cable entry sealing plug (3/4", for dome base use) x 1

**Regulatory Compliance**

<b>Emissions</b>	FCC part 15 Class B CE: EN55011 ICES-003 EN5502 CISPR 11 CISPR 22 ANSI C63.4
<b>Immunity</b>	CE: EN50130-4

**FCC COMPLIANCE:** This equipment complies with Part 15 of the FCC rules for intentional radiators and Class B digital devices when installed and used in accordance with the instruction manual. Following these rules provides reasonable protection against harmful interference from equipment operated in a commercial area. This equipment should not be installed in a residential area as it can radiate radio frequency energy that could interfere with radio communications, a situation the user would have to fix at their own expense.

**CISPR 22 WARNING:** This is a Class B product. In a domestic environment this product may cause radio interference in which case the user may be required to take adequate measures.

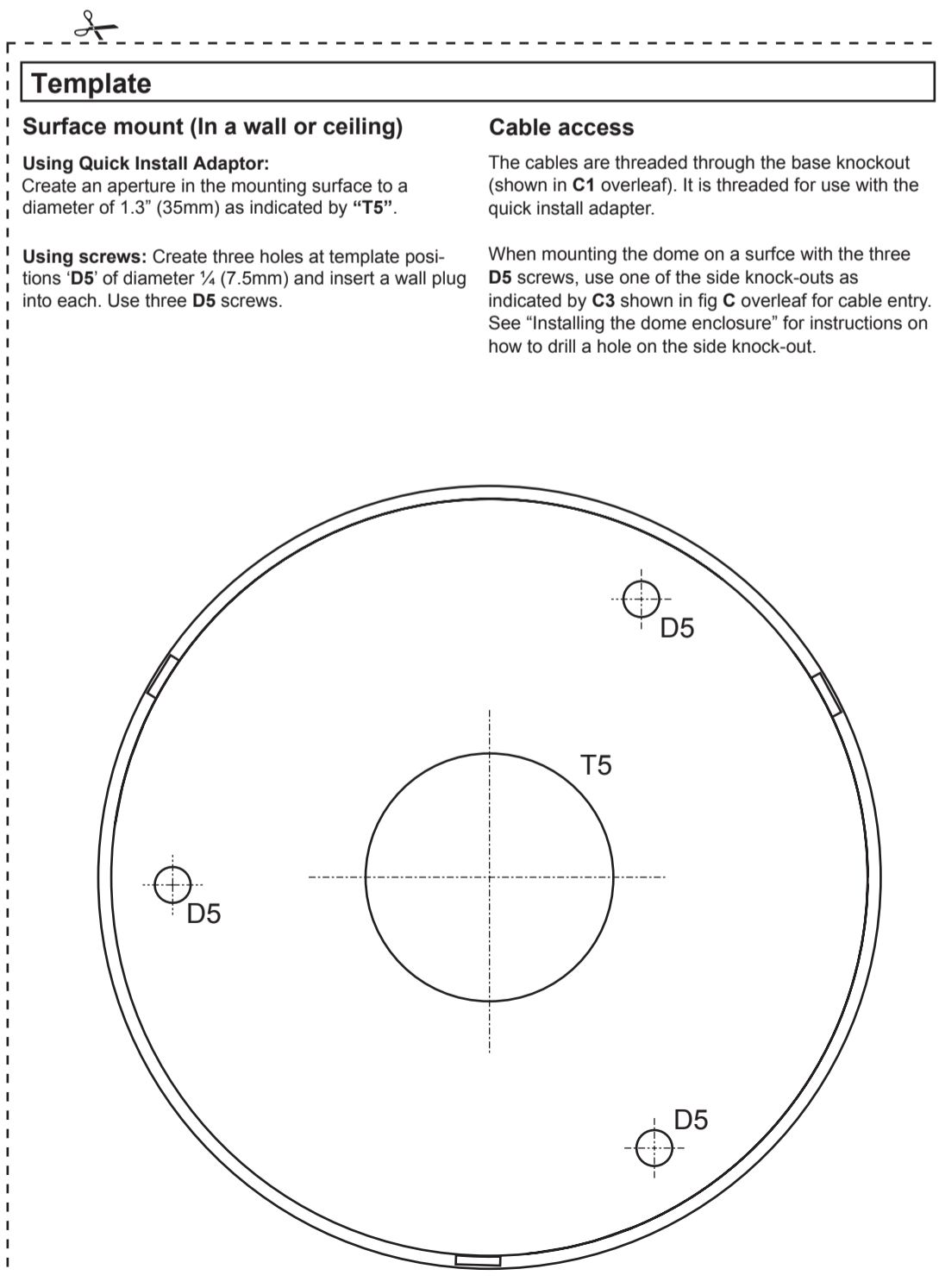
**POWER SUPPLY REQUIREMENTS:** For use with listed Audio/Video Product and only connected to 15W or less power supply. Power supply should be a NEC Class 2 / LPS Supply.

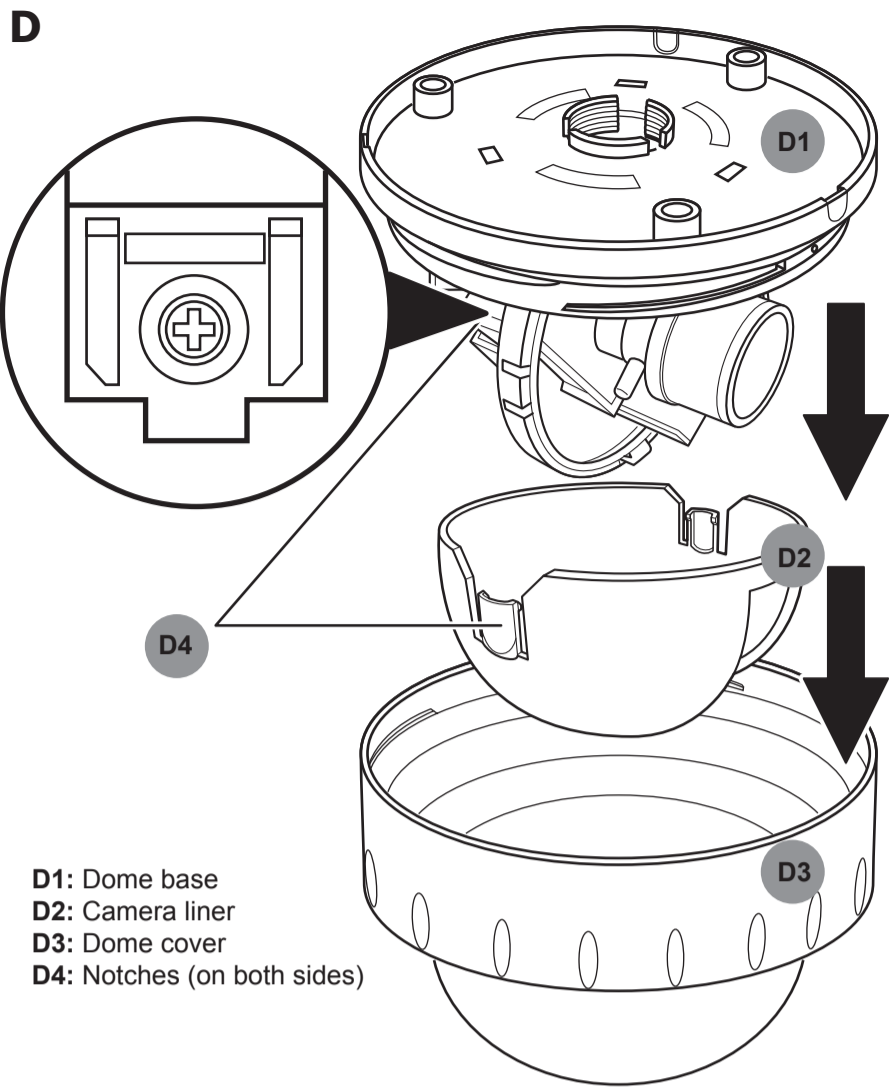
**EQUIPMENT MODIFICATION CAUTION:** Equipment changes or modifications not expressly approved, the party responsible for FCC compliance, could void the user's authority to operate the equipment and could create a hazardous condition.

V531-DE000-002  
Ver. 2007/10

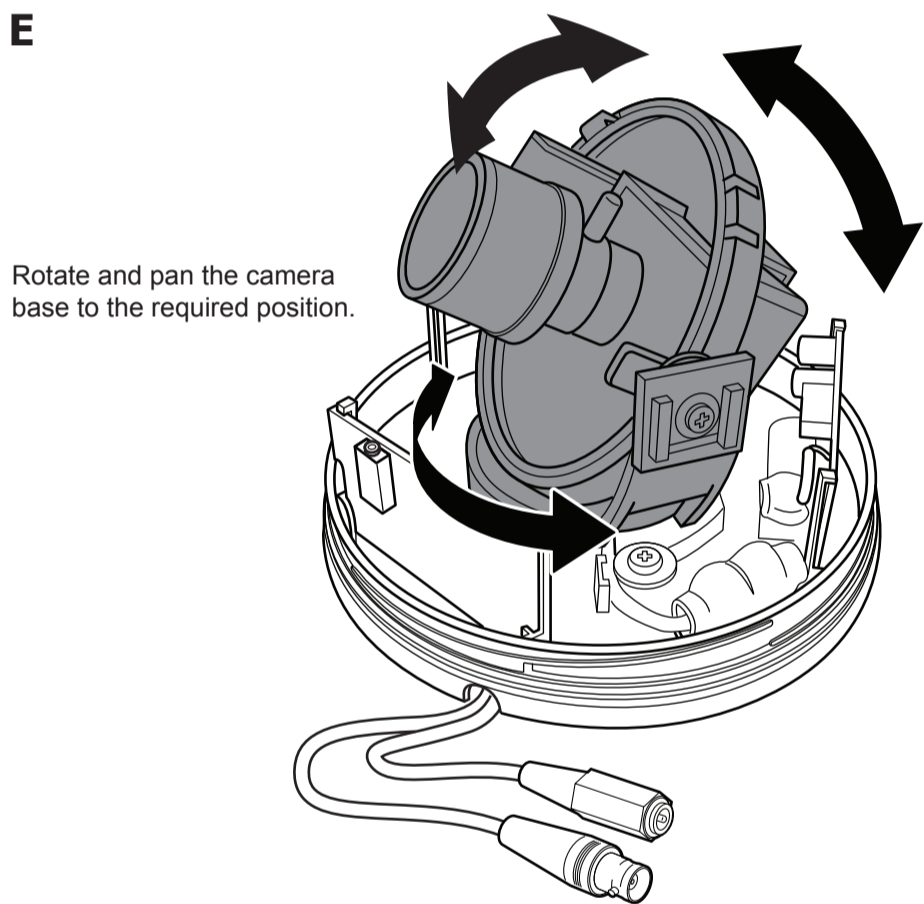


Product specifications subject to change without notice. Certain product names mentioned herein may be trade names and/or registered trademarks of other companies.

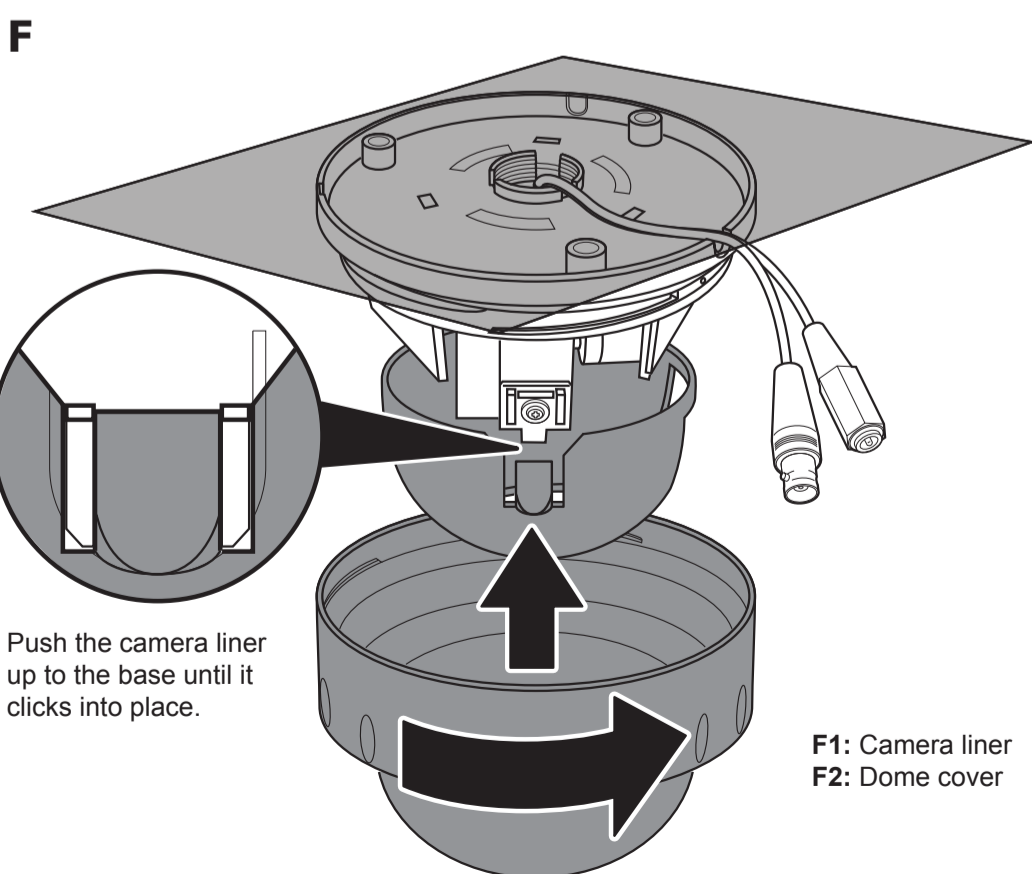




**D1:** Dome base  
**D2:** Camera liner  
**D3:** Dome cover  
**D4:** Notches (on both sides)



Rotate and pan the camera base to the required position.



Push the camera liner up to the base until it clicks into place.

**F1:** Camera liner  
**F2:** Dome cover

## Installing the dome enclosure

### 1. Remove the dome cover and the camera liner

Gently turn the dome cover counter-clockwise to unlock and pull free of the dome base. Remove the camera liner by gently pulling it free of the two notches (**D4**) in the camera base (see fig **D**).

### 2. Use the template to mark-out and prepare the mounting area

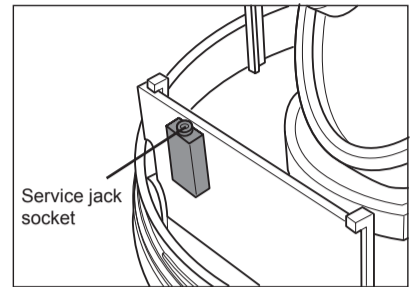
When mounting the dome to a ceiling or wall using screws, first knock out the screw access holes (**C2**) that correspond to the template marks "**D5**". This can be done by using a cross-point screwdriver. When mounting the dome to a ceiling using the quick install adaptor, use the template to cut a hole as the circle marked "**T5**" with a hole cutter.

### 3. Open the required knock-out panel

Use a sharp knife or side cutter pliers to cut one of the side knock-outs (**C3**) to the size required to allow cable entry. Be careful not to hurt yourself or damage the camera when using knives and side cutter pliers.

### 4. Mount the dome enclosure

Using one of the mounting schemes discussed overleaf (Methods for mounting the enclosure), fix the dome enclosure in place.



### 5. Connect the wiring

Feed the pre-connected main lead (that feeds into the connections **G1** and **G2**) through the appropriate point and connect it to your video out and power in cables. A service jack socket is also provided for temporary video connection when focusing the camera, using an optional service cable (**SVC-CABLE**).

### 6. Adjust the camera position

You can adjust the focusing position by rotating and panning the camera base (see fig **E**).

### 7. Install the camera liner

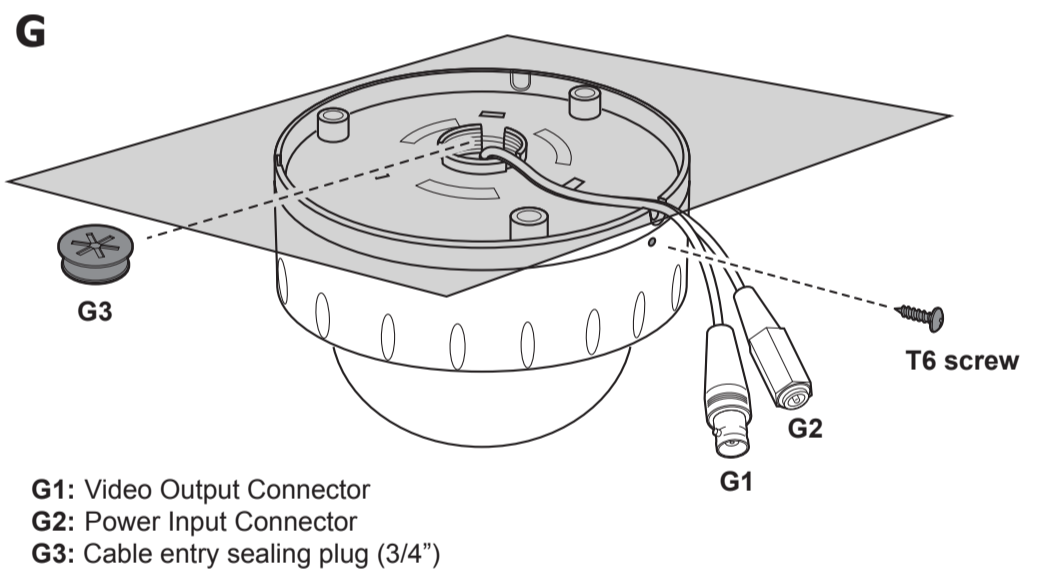
Carefully fit the camera liner (**F1**) over the camera base so that it snaps into place as shown in fig. **F** and does not obstruct the camera lens.

### 8. Replace the dome cover

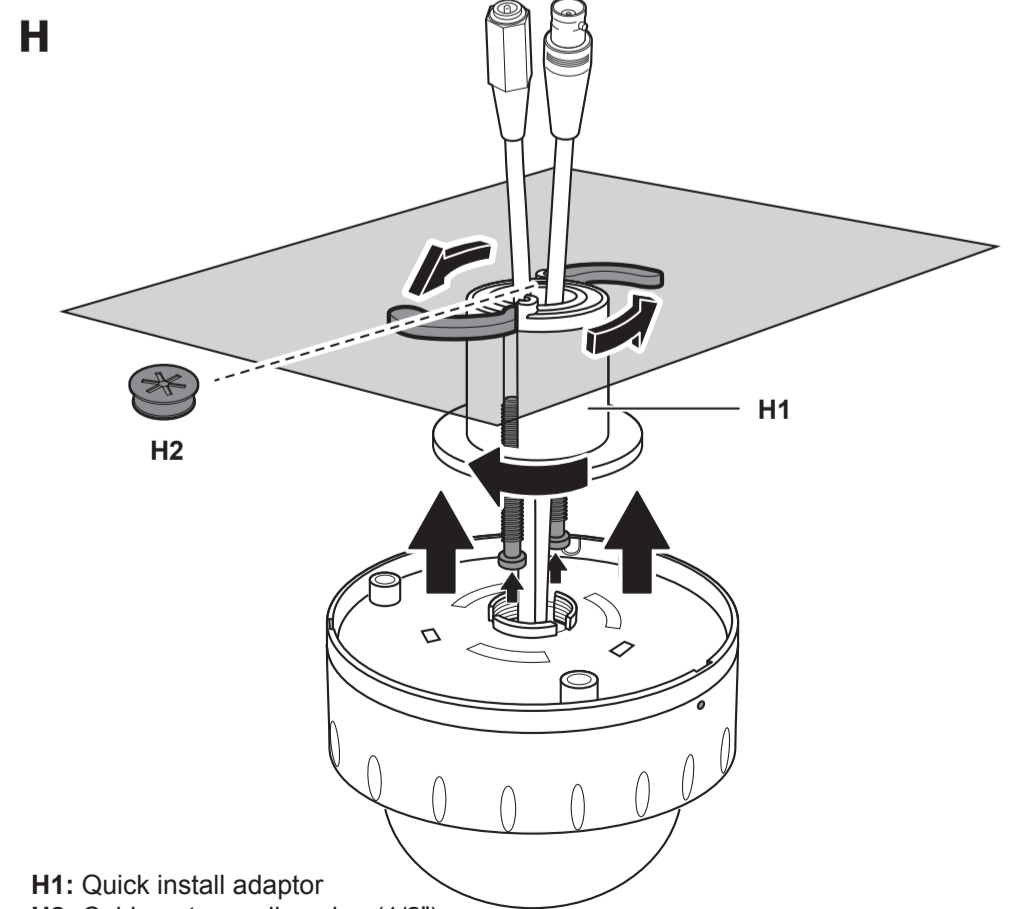
- Install 3/4" cable entry sealing plug (**G3**) on the dome base.
- Push the cables (**G1** and **G2**) through the dome base and 3/4" cable entry sealing plug (**G3**), make sure the sealing plug is properly installed on the base.
- Replace the dome cover (**F2**) and rotate to close it as shown in fig **F**. Use the supplied T6 screw to secure the whole enclosure (see fig. **G**).

### 9. Using the quick install adaptor see figure **H**

- Install 1/2" cable entry sealing plug (**H2**) on quick install adaptor (**H1**). Push the quick install adaptor into the appropriate cut out hole.
- Use the screws to adjust the position of the two locking arms (**B1**) on the quick install adaptor to adjust to the mounting surface.
- Push the cables through the opening (**H1**) and 1/2" cable entry sealing plug (**H2**), make sure the sealing plug is properly installed on the adaptor;
- Thread the dome onto the quick install adaptor. This takes about 1½ turns. **DO NOT OVERTIGHTEN.**



**G1:** Video Output Connector  
**G2:** Power Input Connector  
**G3:** Cable entry sealing plug (3/4")



**H1:** Quick install adaptor  
**H2:** Cable entry sealing plug (1/2")