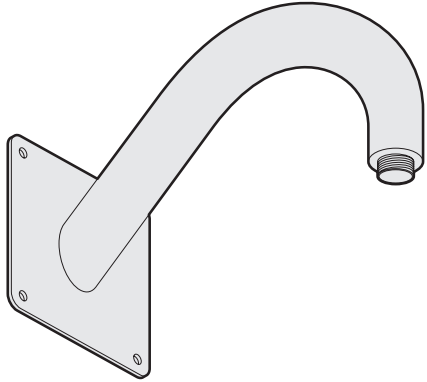
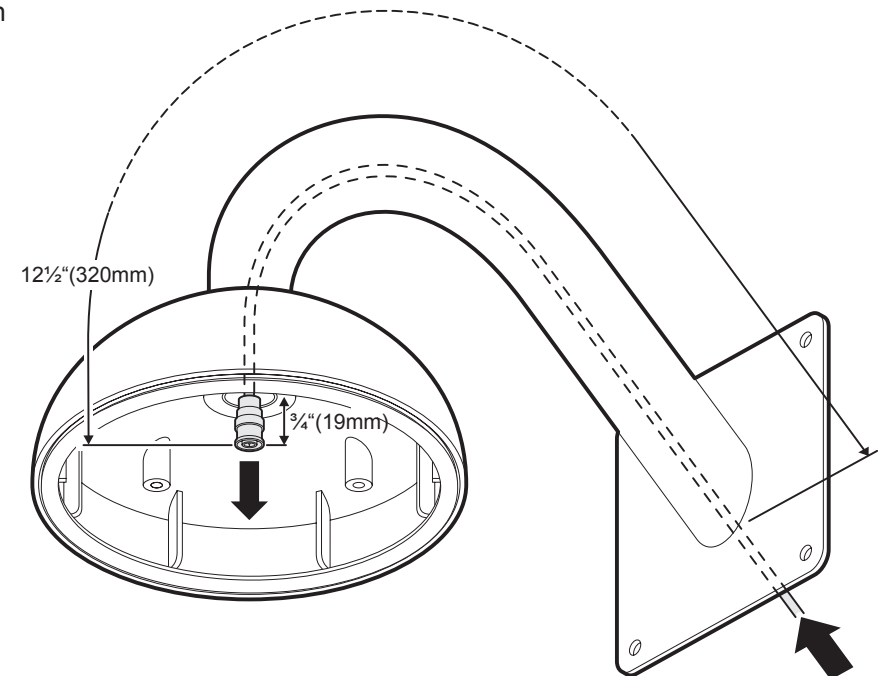
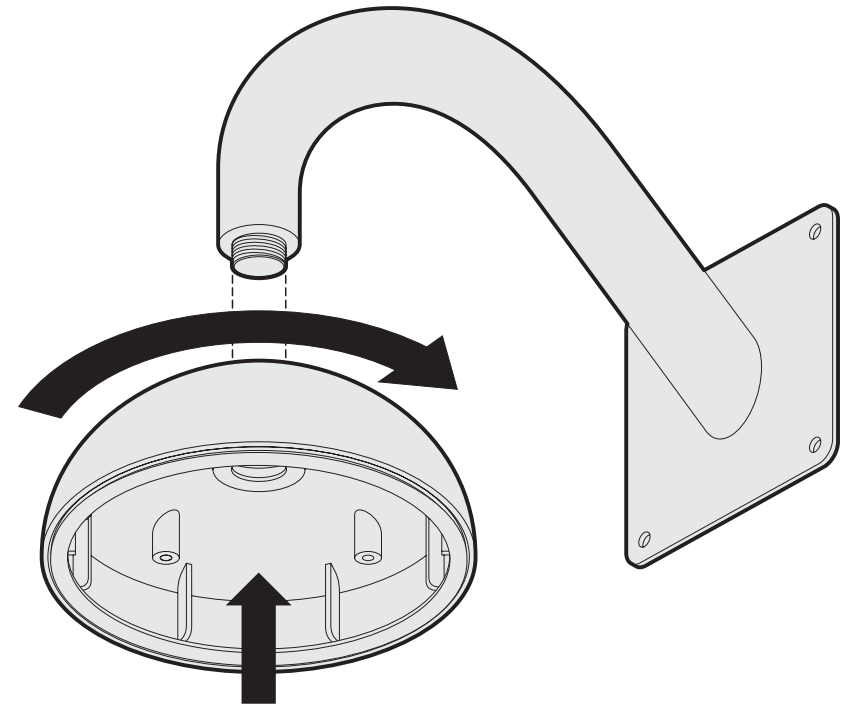


GOOSE NECK INSTALLATION SHEET



Using the wall mount

- 1 Before or after mounting the wall mount, screw the pendant onto the arm of the wall mount.
- 2 From the surface of the wall, you need to allow $12\frac{1}{2}$ " (320mm) of cable to the tip of the BNC connector on the video lead and a similar length for the power lead. Thread the video lead along the arm until just $\frac{3}{4}$ " (19mm) is visible within the pendant hemisphere.
- 3 Within the dome enclosure, pull all of the slack of the camera (video and power) leads into the enclosure. Leave only a bare minimum of the leads exposed through the base access entry, sufficient to connect with the cables that you have threaded through the wall mount arm.
- 4 Connect the video and power leads, and then push the linked BNC video connectors into the enclosure body. Fold the power connectors externally to the enclosure and place the enclosure into the pendant hemisphere.
- 5 Follow the securing instructions overleaf, from step 5.



Product specifications subject to change without notice. Certain product names mentioned herein may be trade names and/or registered trademarks of other companies.



V531-DC013-000