

INSTRUCTION MANUAL

COLOR VANDAL PROOF CAMERA

D411- DP12H33V12

D411-TP12H33V12

D411-TP22H33V12

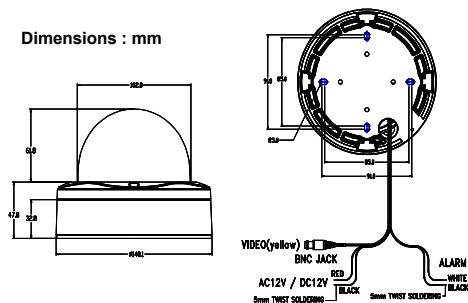
D411-TP22H33V12L-HTR

D411-TP22H33V12L

About this manual

Before installing and using the camera, please read this manual carefully. Be sure to keep it available for future reference.

Dimensions : mm



TROUBLESHOOTING

Before sending the camera out for repair, check the items below. If the problem persists after checking these items, contact your service center.

■ If no image appears

- Is the coaxial cable attached securely?
- Are the power and voltage normal?
- Has the iris of the lens inside the camera been adjusted correctly (with DC lens level) ?
- Is there adequate illumination?

■ If the image is unclear

- Is the lens in focus?
- Is the lens dirty?
- Dirt or fingerprints on the lens can adversely affect the images. Gently wipe any dirt or fingerprints off the lens with a soft cloth or lens cleaning paper and cleaning fluid (commercially available).
- Is the monitor adjusted correctly?

WARNING:

TO PREVENT THE RISK OF FIRE OR ELECTRIC SHOCK, DO NOT EXPOSE THIS APPLIANCE TO RAIN OR MOISTURE. ENSURE ALL CABLE ENTRY POINTS ARE SEALED TO PREVENT MOISTURE INGRESS

PRECAUTIONS

■ Do not open or modify
Do not open the cabinet except during maintenance and installation, as it may be dangerous and cause damage.

■ Do not put objects inside the unit
Make sure that no metal objects or flammable substances get inside the camera. It could cause fire, short-circuits or damage.

■ Be careful when handling the unit
To prevent damage, do not drop the camera or subject it to strong shock or vibration.

■ Install away from electric or magnetic fields

■ Protect from humidity and dust

■ Protect from high temperature
Be careful when installing close to the ceiling, in a kitchen or boiler room, as the temperature may reach high levels.

■ Cleaning
Dirt can be removed from the cabinet only by wiping it with a soft cloth moistened with a soft detergent solution.

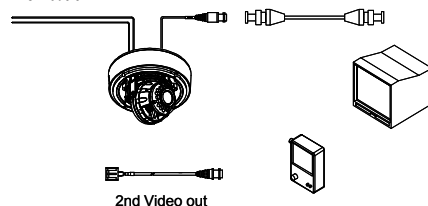
■ Mounting Surface
The mounting surface material and fixings must be strong enough to secure the camera.

■ Ingress Protection
Ensure all cable entry points are sealed with silicone sealant to prevent moisture ingress.

CONNECTOR AND CAMERA SETTING

■ CONNECTIONS

DC12V / AC24V Dual Power Models
DC12V DC Models



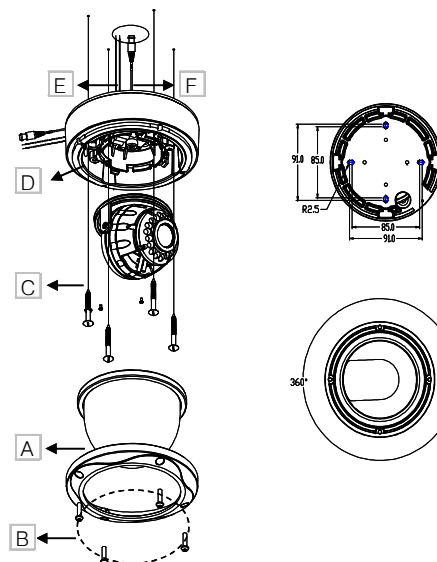
CAUTION :

Check for polarity when using a DC 12v power supply

SPECIFICATION

Camera Type	Color/BW	Anti-Vandal Day/Night Digital Dome Camera	
Mount		Surface	
Image	Device	Super HAD II CCD	
	Size	1/3"	
	Active Pixels	PAL 752(H) X 582(V) / NTSC 768(H) X 494 (V)	
Scanning	System	PAL 625 Line 2:1Interlace / NTSC 525 Line 2:1Interlace	
Min. Scene illumination	(F1.2, 30IRE)	0.14Lux	
	IR-LED on ("L" Models only)	Zero Lux	
Functions	SENSE-UP	OFF / AUTO (x256)	
	DNR	OFF / AUTO	
	DRC	OFF / INDOOR / OUTDOOR	
	D-Zoom	OFF / 1.0x ~ 32x	
	AGC	OFF / LOW / MIDDLE / HIGH	
	AWB	ATW / AWC / INDOOR / OUTDOOR / MANUAL / PUSH LOCK	
	Motion Detection	OFF / ON (Area / Sensitivity)	
	Privacy Zone	7 Programmable Zone / Size	
	Lens	Focal Length	3.3-12mm (3.6x Optical)
	Resolution	Horizontal	Colour 540 TV Line, B/W 580 TV Line
Video Output	VBS 1.0Vp-p	VBS 1.0Vp-p (75Ω Load)	
S/N Ratio	S/N Ratio	52dB	
OSD	OSD	YES	
Environmental Conditions	Operating Temperature	-10°C ~ +55°C (14°F ~ 131°F)	
	Humidity	Less than 90%	
Power	Power Requirement	12VDC / 24VAC (50Hz, PAL / 60 Hz, NTSC))	
	Power Consumption (D411-DP12H33V12 / D411-TP12H33V12)	DC12V 1.37[W]	
	Power Consumption (D411-TP22H33V12)	DC12V 1.7[W] / AC24V 2.42[W]	
	Power Consumption (D411-TP22H33V12 LHTR)	DC12V 13[W] / AC24V 15[W]	
	Power Consumption (D411-TP22H33V12L)	DC12V LED ON:5.7[W], AC24V LED ON:5.2[W]	
Physical Specification	Dimensions(φ x H)	140.1 x 109.6mm	
IP Rating	IP66		

INSTALLATION



1. Use the supplied L-wrench to undo the four fixing screws (B) and remove dome cover (A).

2. Using the supplied drilling template, mark out and drill 4x holes in the mounting surface to mount the camera. If using rear cable entry also drill 1x hole through the mounting surface for routing the cables. Insert appropriate wall plugs if required.

3. Insert and align the four screws in the camera base (D) with the holes/plugs in the mounting surface and secure the camera in place by tightening the screws. Always use the base gasket.

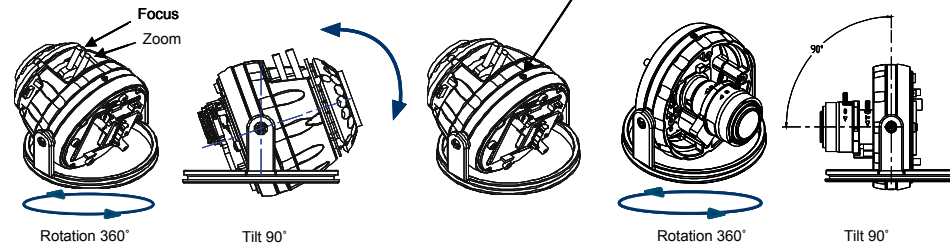
4. Carry out the settings and adjustments for the camera.

5. Ensure all cable entry points (rear or side) are sealed with silicone sealant to prevent moisture ingress. Failure to observe this may result in condensation deposits that will reduce the IR response of the camera.

6. Secure the dome cover (A) by tightening the screws (B).

CONNECTIONS AND CAMERA SETTINGS

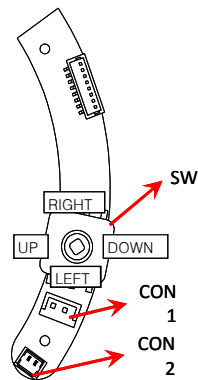
LENS ADJUSTMENTS



- Adjust the panning(360°), rotation (360°) and tilt(70°) position.
- Set the zoom position using the Zoom Lever Screw.
- Set the focus using the Focus Lever Screw.

CAMERA SETTINGS

OSD SWITCH FUNCTION



FUNCTIONAL OF CONTROL BOARD

- SW
Functional control of O.S.D(On Screen Display)
- CON1
Second Video output connector
- CON2
RS-485 connector

EXPOSURE	LENS	MANUAL / DC / VIDEO
	E.SHUTTER	AUTO / 1/50 (PAL) or 1/60 (NTSC) / FLK / 1/250 ~ 1/1000000 / [SENS_UP(x2 ~ x256)
COLOR	BLC/HME	OFF / BLC / HME
	AGC	OFF / LOW / MIDDLE / HIGH
DAY&NIGHT	SENS_UP	OFF / AUTO(x2~x256)
	EXIT JUMP	
FUCTION	ATW / AWC / INDOOR / OUTDOOR / MANUAL / PUSH LOCK	
	R-Y GAIN	0 ~ 100
MOTION	B-Y GAIN	0 ~ 100
	EXIT JUMP	
PRIVACY	DAY & NIGHT MODE	AUTO / COLOUR / BW
	C_SUP	0 ~ 63
SYNC	A_SUP	0 ~ 15
	EXIT JUMP	
SETUP	MIRROR	OFF / MIRROR / V-FLIP / ROTATE
	SHARPNESS	0 ~ 31
EXIT	GAMMA	0.05 ~ 1.0
	FREEZE	OFF / ON
TITLE EDIT	NEGA	OFF / ON
	D-ZOOM	OFF / ON (ZOOM (x1.0 ~ x32) / PAN / TILT)
PC CONTROL	3D DNR	OFF / ON
	DRC	OFF / INDOOR / OUTDOOR
CAM ID	EXIT JUMP	
	AREA SELECT	
ID DISPLAY(OFF / ON)	AREA DISPLAY	
	LEFT / RIGHT	
BAUDRATE(2400 / 4800 / 9600)	WIDTH	
	UP (TOP) / DOWN (BOTTOM)	
RETURN	HEIGHT	
	SENSITIVITY	
LANGUAGE	RETURN	
	AREA SELECT	
PAL: ENGLISH / JAPANESE / CHINESE 1 / CHINESE 2	AREA DISPLAY	
	LEFT / RIGHT	
ALARM	WIDTH	
	UP (TOP) / DOWN (BOTTOM)	
ALARM ZOOM	HEIGHT	
	COLOUR	
STAND BY	RETURN	
	READ TIME	
RETURN	ALARM ZOOM	
	STAND BY	
MONITOR	RETURN	
	CRT / LCD	
SETUP	EXIT	
	NORMAL / HIGH	
EXIT JUMP	EXIT	
	SAVE & EXIT	
FACTORY SET	EXIT	
	FACTORY SET	

MOTION DETECTION ALARM OUTPUT SETTING

Note: Motion Detection output is only available on TDN models .

- OSD Menu : "MOTION" should be changed to "ON"
- "MOTION" : Enter the sub menu by ENTER KEY
- SUB MENU : Select the required "AREA" (Up to 4 areas can be configured)
- The size and sensitivity for MOTION detection should be set up each "AREA"
- Set the required areas to "ON" to enable Motion Detection and save the settings
- When areas are set to "ON", "MOTION DETECTION" is show on the screen in ALARM condition
- In ALARM condition, the Alarm Output Cable connection is "CLOSED" . In NON-ALARM condition the output connection is "OPEN"

RS-485 PROTOCOL (MAIN PROTOCOL)

PROTOCOL : PELCO-D
 COMMUNICATION SPEED : 9600bps
 START bit : 1bit
 STOP bit : 1bit
 DATA bit : 8bit
 PARITY bit : NONE

Standard Command								
	BYTE	1	2	3	4	5	6	7
1	OSD ON	FFh	Idh	00h	03h	00h	5Fh	check-sum
2	OSD LEFT	FFh	Idh	00h	04h	00h	00h	check-sum
3	OSD RIGHT	FFh	Idh	00h	02h	00h	00h	check-sum
4	OSD UP	FFh	Idh	00h	08h	00h	00h	check-sum
5	OSD DOWN	FFh	Idh	00h	10h	00h	00h	check-sum
6	OSD CLOSE	FFh	Idh	04h	00h	00h	00h	check-sum
7	OSD OPEN	FFh	Idh	02h	00h	00h	00h	check-sum
8	STOP KEY(off key)	FFh	Idh	00h	00h	00h	00h	check-sum