



# VDM2CP12H36C

MICRO DOME, COLOUR CAMERA, 520 TVL,  
3.6MM LENS, 12VDC

## KEY FEATURES

- Chrome aluminium casing
- Indoor/outdoor use, built to IP66
- Flush mount, surface mount with the optional adapters
- Colour camera with 3.6mm fixed lens
- 0.2 Lux @ F1.2
- Resolution: 520 TVL
- Operates on 12VDC
- Certified compliant to the e11 type approval to Directive 72/245/EEC for use on motor vehicles



Suitable for indoor and outdoor use, our micro domes feature an aluminium housing built to IP66. The camera module is fitted on a 3-axis gimbal allowing easy positioning and comes with a 3.6mm lens.

The VDM2 Series is the ideal solution for mobile applications such as buses, trains, taxis and elevators.

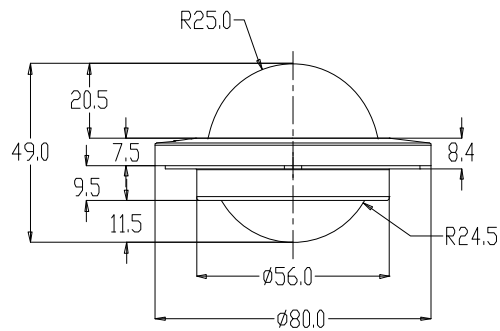
## GENERAL SPECIFICATIONS

Camera	1/3" CCD colour
Pixel element	PAL 795 (H) x 596 (V)
Minimum illumination	0.2 Lux @ F1.2 (30 IRE)
Resolution	520 TVL
Shutter speed	1/50s ~ 1/100 000s
S/N ratio	46 dB (AGC Off)
Gamma compensation	0.45
Sync. system	Internal
Voltage	DC 12V (8 ~ 18V)
Power consumption	2W max.
Certificates	Compliant to the e11 standards, Directive 72/245/EEC for use on motor vehicles

## TEMPERATURE RANGE

Operating temperature	-10°C to 55°C
Storage temperature	-20°C to 70°C

## DIMENSIONS (MM)



**deView Europe**  
 Falcon Court, Petre Road  
 Clayton le Moors, Lancashire  
 BB5 5JZ, United Kingdom  
 Phone: +44 (0) 1254 302 490  
 Email: sales@devieweurope.com

Fax: +44 (0) 1254 302 491  
 Web: www.devieweurope.com