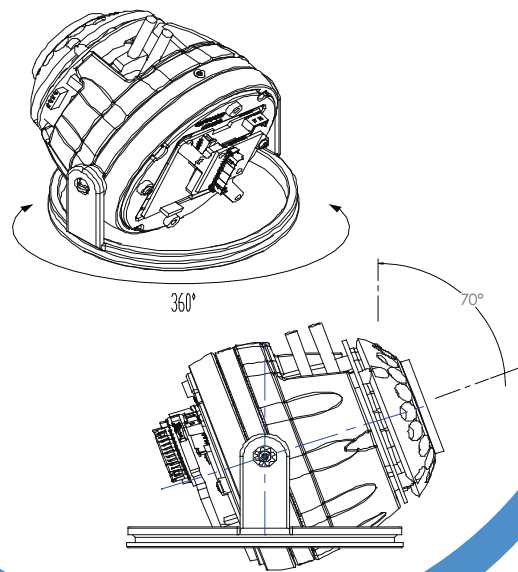


D411-TP22H33V12L
D411-TP22H33V12LHTR
 ALUMINIUM VANDAL DOMES



Our true day/night D411 domes will give you outstanding image quality in environments where the light level is very low. They are the ideal solution for applications such as car parks, hotels, underpasses, petrol stations, airports, public houses, etc.

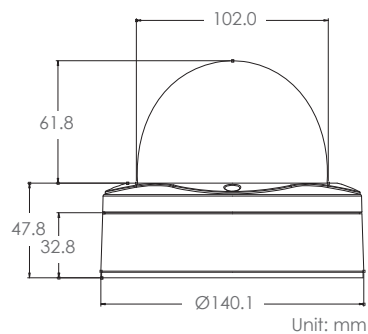


FEATURES

- Die-cast aluminium shell with polycarbonate bubble
- Surface mount
- Indoor/Outdoor use, built to IP66
- Sony SuperHAD II CCD with removable IR cut filter
- 540 TVL in colour, 580 TVL in Mono
- 0.14 Lux @ F1.2 (30IRE Colour DSS OFF)
- 0.03 Lux @ F1.2 (30IRE Mono, DSS OFF)
- 0.00 Lux @ F1.2 with IR Leds ON
- 3.3~12mm varifocal lens
- 18 IR Leds with IR distance up to 18m
- Operates on 12VDC/24VAC
- DNR (Digital Noise Reduction)
- DRC (Dynamic Range Controller)
- Peak White Inversion (PWl)
- 7 privacy masking zones
- Motion Detection
- OSD Menu for configuration
- Second video output
- Service lead for easy configuration included
- D411-TP22H33V12L: Standard version**
- D411-TP22H33V12LHTR: Built-in heater for operation down to -20°C**

GENERAL SPECIFICATIONS

Mount	Surface
CCD type	Sony Super HAD II CCD
Total number of active pixels	752(H) X 582(V)
Scanning System	PAL 625 Line 2:1 Interface
Min. illumination	0.14 Lux @ F1.2 (30IRE Colour DSS OFF) 0.03 Lux @ F1.2 (30IRE Mono, DSS OFF) 0.00 Lux @ F1.2 (With IR Leds ON)
Resolution	540 TVL in colour 580 TVL in Mono
Lens Focal Length	3.3 ~ 12mm
Video output	1.0Vp-p / 75 ohm Composite
S/N ratio	52dB
OSD	Yes
Power requirements and consumption	<i>D411-TP22H33V12L</i> DC 12V - 5.7W with Leds ON AC24V - 5.2W with Leds ON <i>D411-TP22H33V12LHTR</i> DC 12V - 13W / AC24V - 15W
Operation temperature	-10°C ~ +55°C With heater : -20°C ~ +55°C
Storage temperature	-20°C ~ +70°C
Operation humidity	Under 90% (Non-condensing)
IP rating	IP 66
Weight	910 g



OSD FUNCTIONS

Exposure	Lens: Manual / DC / video Electronic Shutter: Auto / 1/50 / Flickerless 1/250 ~ 1/100000 / Sens-up (x2 ~ x256)
BLC	OFF/ BLC / HME
BLC / HME	64 zones
AGC	OFF / Low / Middle / High
Sens-up	OFF / Auto (x2 ~ x256)
White Balance	ATW / AWC / Indoor / Outdoor / Manual / Push Lock R-Y Gain 0 ~ 100, B-Y Gain 0 ~ 100
Day & Night	Auto / Colour / B & W
Mirror function	OFF / Mirror / V-flip / Rotate
Sharpness	0 ~ 31
Gamma	0.05 ~ 1.0
Freeze	OFF / ON
Negative video	OFF / ON
Digital Zoom	OFF / ON (Zoom x1.0 ~ x32 / Pan / Tilt)
Digital Noise Reduction	OFF / ON
Dynamic Range Controller	OFF / Indoor / Outdoor
Motion detection	OFF / ON, 4x Programmable Areas
Privacy	OFF / ON, 7x Programmable Areas
Synchronisation	INT / LL (0 ~ 359)
Camera ID	OFF / ON
RS485	Adjustable camera ID and baudrate (2400 / 4800 / 9600)
OSD Language	English

