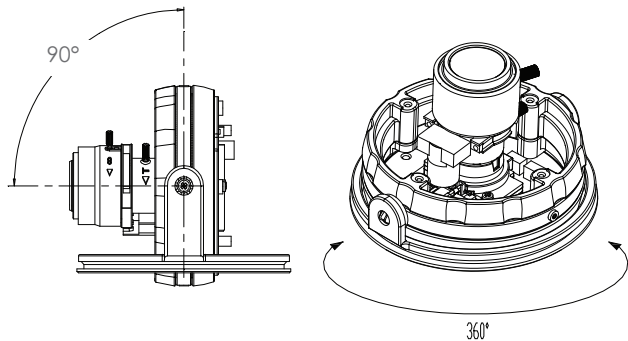


D411-TP12H33V12
D411-TP22H33V12
 ALUMINIUM VANDAL DOMES



Our true day/night D411 domes will give you outstanding image quality in environments where the light level is very low. They are the ideal solution for applications such as car parks, hotels, underpasses, petrol stations, airports, public houses, etc.

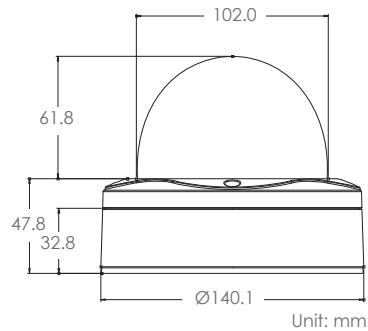
540 TVL 580 TVL	3.3-12 mm	OSD	IP66	12VDC 24VDC
PRIVACY ZONES	RS485	PWI	DRC	DNR

FEATURES

- Die-cast aluminium shell with polycarbonate bubble
- Surface mount
- Indoor/Outdoor use, built to IP66
- Sony SuperHAD II CCD with removable IR cut filter
- 540 TVL in colour, 580 TVL in Mono
- 0.14 Lux @ F1.2 (30IRE Colour DSS OFF)
- 0.03 Lux @ F1.2 (30IRE Mono, DSS OFF)
- 0.0005 Lux with SENS UP
- 3.3~12mm varifocal lens
- DNR (Digital Noise Reduction)
- DRC (Dynamic Range Controller)
- Peak White Inversion (PWI)
- 7 privacy masking zones
- Motion Detection
- OSD Menu for configuration
- Second video output
- Service lead for easy configuration included
- D411-TP12H33V12: 12VDC only**
- D411-TP22H33V12: dual voltage 12VDC/24VAC**

GENERAL SPECIFICATIONS

Mount	Surface
CCD type	Sony Super HAD II CCD
Total number of active pixels	752(H) X 582(V)
Scanning System	PAL 625 Line 2:1 Interface
Min. illumination	0.14 Lux @ F1.2 (30IRE Colour DSS OFF) 0.03 Lux @ F1.2 (30IRE Mono DSS OFF) 0.0005 Lux with SENS UP
Resolution	540 TVL in colour 580 TVL in Mono
Lens Focal Length	3.3 ~ 12mm
Video output	1.0Vp-p / 75 ohm Composite
S/N ratio	52dB
OSD	Yes
Power requirements and consumption	D411-TP12H33V12 DC 12V - 1.37W D411-TP22H33V12 DC 12V - 1.7W / AC24V - 2.42W
Operation temperature	-10°C ~ +55°C
Storage temperature	-20°C ~ +70°C
Operation humidity	Under 90% (Non-condensing)
IP rating	IP 66
Weight	910 g



OSD FUNCTIONS

Exposure	Lens: Manual / DC / video Electronic Shutter: Auto / 1/50 / Flickerless 1/250 ~ 1/100000 / Sens-up (x2 ~ x256)
BLC	OFF/ BLC / HME
BLC / HME	64 zones
AGC	OFF / Low / Middle / High
Sens-up	OFF / Auto (x2 ~ x256)
White Balance	ATW / AWC / Indoor / Outdoor / Manual / Push Lock R-Y Gain 0 ~ 100, B-Y Gain 0 ~ 100
Day & Night	Auto / Colour / B & W
Mirror function	OFF / Mirror / V-flip / Rotate
Sharpness	0 ~ 31
Gamma	0.05 ~ 1.0
Freeze	OFF / ON
Negative video	OFF / ON
Digital Zoom	OFF / ON (Zoom x1.0 ~ x32 / Pan / Tilt)
Digital Noise Reduction	OFF / ON
Dynamic Range Controller	OFF / Indoor / Outdoor
Motion detection	OFF / ON, 4x Programmable Areas
Privacy	OFF / ON, 7x Programmable Areas
Synchronisation	INT / LL (0 ~ 359)
Camera ID	OFF / ON
RS485	Adjustable camera ID and baudrate (2400 / 4800 / 9600)
OSD Language	English

