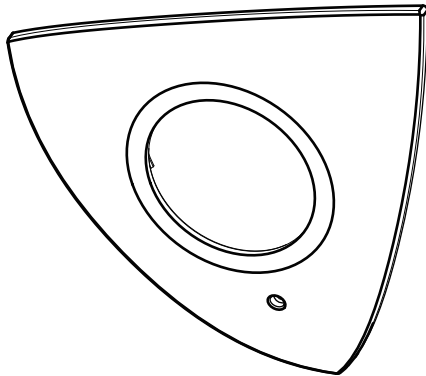




MD4-CM

# Corner Mount Installation Sheet



## Precautions

To prevent damage to your dome camera or injury to yourself or to others, read and comply with the safety precautions in the enclosure installation and camera sheet before installation and use.

## Packing List

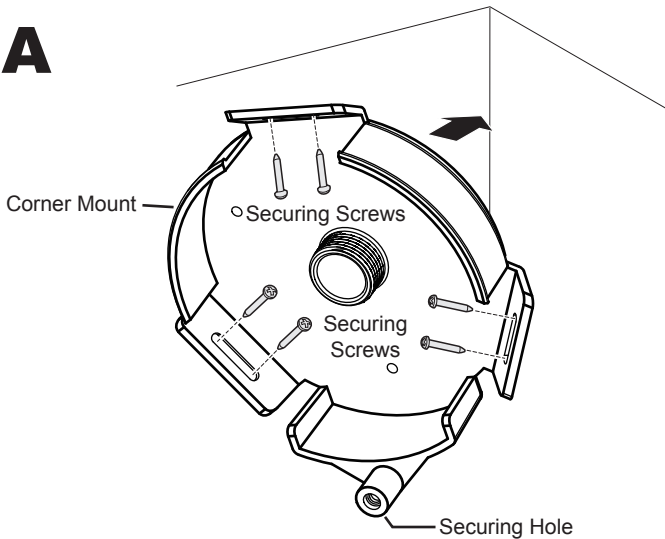
- Corner Mount x 1
- Corner Mount Lid x 1
- Screw Pack x 1

Please visit our website for more information:

[www.deview.com](http://www.deview.com)



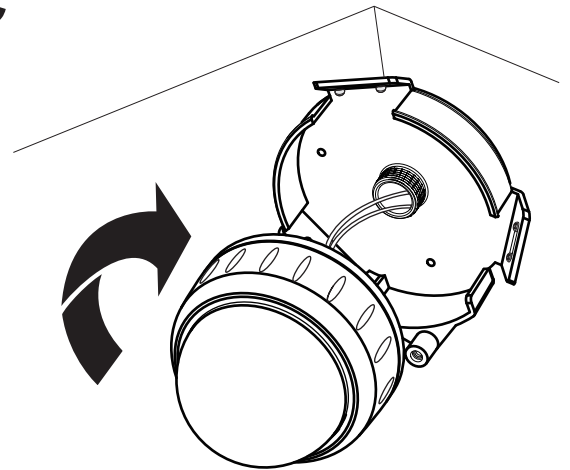
**A**



Locate the corner mount in the required position. Use screws and wall plugs (as appropriate to the wall surfaces) to fix the corner mount on the wall. Access to the screw positions is gained through the open front aperture of the corner mount.

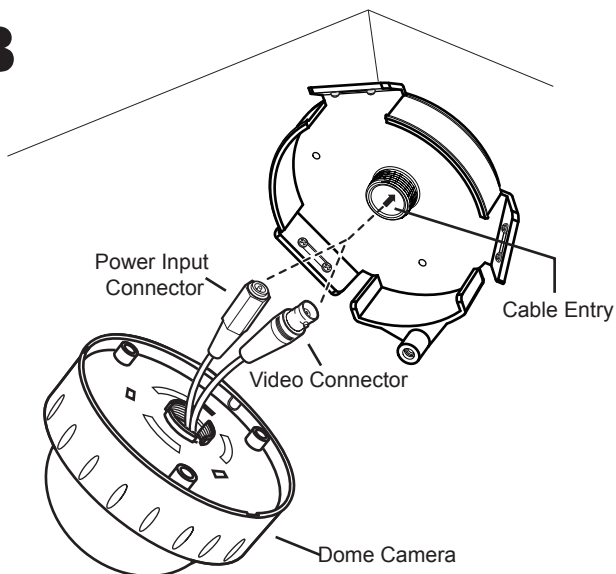
Note: The securing hole should be on the bottom side of the corner mount (as picture shown above).

**C**



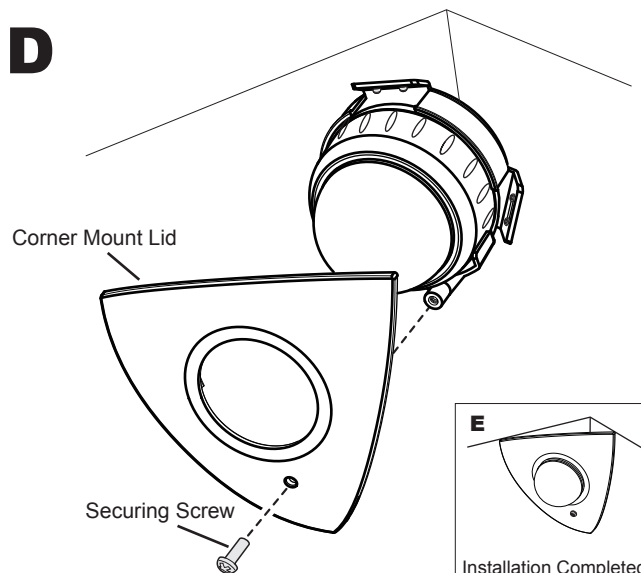
Fit and tighten the dome camera on the corner mount by rotating clockwise.

**B**



Install the dome camera on the corner mount by first arranging the cables through the cable entry.

**D**



Cover the dome camera with the corner mount lid. Insert and tighten the securing screw to fix the lid to the corner mount.