

Camera Adjustments for the 540TVL Series

DIP switch settings

The bank of dip switches allow the following settings to be made:

SDN mode (SDN / ON)

When ON the camera operates in monochrome mode in reduced lighting.

Auto White Balance (AWB / AWB.EX)

AWB: The camera operates in the normal Auto White Balance range 2700K~11000K.

AWB EX: The camera runs in the extended Auto White Balance range 2000K~18000K.

Line Lock (INT / LL)

In LL mode the V-Phase may be adjusted to compensate for connected supply phase differences.

Only applicable for 24VAC supply – otherwise the camera operates with INTERNAL sync.

Flickerless mode (FL / ON)

ON: The Camera reduces flicker in the image under fluorescent lighting.

Back Light Compensation (BLC)

When set ON, this option improves the camera response to strong, unwanted lighting effects behind the required subject.

Low Light Sensitivity (AGC-EX)

When set to EX sensitivity in low light is increased.

Focus & Field of View Adjustment

Twist the levers on the side of the varifocal camera to adjust the focus and field of view settings.

TIP: If necessary, perform the final focus through the dome cover, holding it to the lens reversed to confirm the final results.

Vertical Phase Adjustment

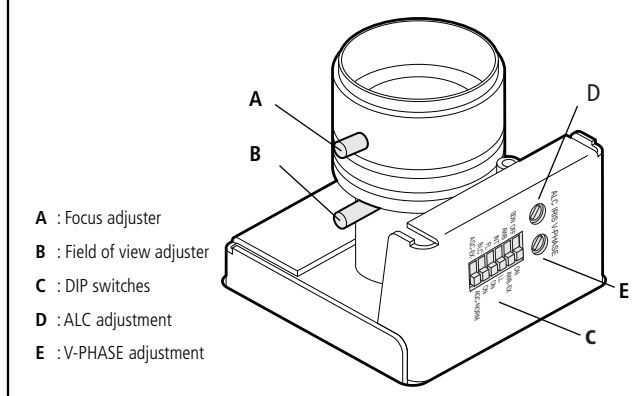
Use this adjustment when using an AC supply to align the camera phase with that of the supply.

Iris Adjustment

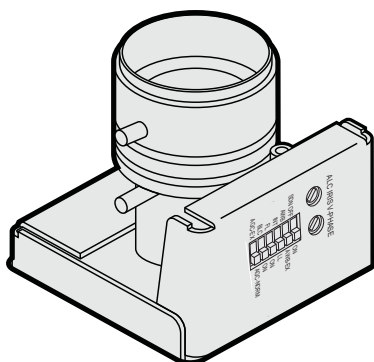
This is factory set and should not normally require adjustment except to compensate for excessive image blooming.

Camera Adjustments

540TVL Series Camera



INDOOR/OUTDOOR Vandal Proof Dome Camera



Day/Night 540TVL High Resolution

Camera Specifications

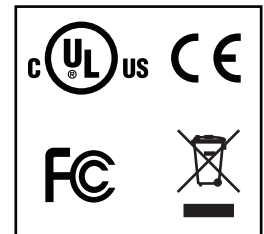
Type / Format	NTSC	PAL
Scanning Element	2:1 Interlace, H15.750KHz / V :59.94Hz	2:1 Interlace, H15.625KHz / V :50Hz
Image Picture Element	1/3" Interline CCD	
Effective Picture Element	768(H) x 494(V)	752(H) x 582(V)
Resolution (TV lines)	540 (normal)	
Minimum Illumination	0.65 Lux @ F1.2	
S/N Ratio	50dB	
AGC.EX Gain	30dB	
AGC Preset Gain	26dB	
Back Light Compensation	Central area for auto iris	
Exposure Control	DC Auto IRIS Drive	
Sync System	Internal/Line lock	
Line Lock (Phase Adj. Range)	0°~270°	
Line Lock (Frequency Range)	60Hz ±1Hz	50Hz ±1Hz
Gamma Compensation	0.45	
Video Output	1.0Vpp, 75 ohm Unbalanced	
White Balance	Automatic White Balance	
AWB Normal Range	2700K – 11000K	
AWB.EX Range	2000K – 18000K	
Power Range	AC: 24VAC ±20% or DC: 12VDC -10% +20%	
Power Consumption	4.2W (Max)	
Operating Temperature	-10°C to +50°C	
Storage Temperature	-20°C to +60°C	

Lens Specifications (for all camera models)

Focal Length	2.5~6.0mm	2.9~10mm	3.0~9.0mm	3.3~12mm	9~22mm	
F-No.	F1.2	F1.2	F1.2	F1.4	F1.4	
Iris Range	F1.2~F360	F1.2~F360	F1.2~F360	F1.4~F360	F1.4~F360	
Minimum Object Distance	0.5m (19.7")	0.15m (6")	0.5m (19.7")	0.5m (19.7")	1m (39.4")	
Field Of View	Diagonal	145.5°~59.1°	125.0°~36.0°	116.2°~39.7°	125.7°~29.9°	41.9°~16.3°
	Horizontal	111.6°~47.3°	94.6°~28.8°	90.0°~31.8°	89.8°~23.9°	32.1°~13.1°
	Vertical	82.2°~35.5°	68.4°~21.6°	66.2°~23.9°	63.6°~17.9°	23.3°~9.8°
Lens Type	Aspherical	Aspherical	Aspherical	Aspherical	Aspherical	
IR Corrective Coating	Yes	Yes	Yes	Yes	Yes	

Regulatory Compliance

Emissions	FCC part 15 Class B CE: EN55011 ICES-003 EN55022 CISPR 11 CISPR22 ANSI C63.4
Immunity	CE: EN50130-4
Safety	CSA C22.2 UL60065



FCC COMPLIANCE: This equipment complies with Part 15 of the FCC rules for intentional radiators and Class B digital devices when installed and used in accordance with the instruction manual. Following these rules provides reasonable protection against harmful interference from equipment operated in a commercial area. This equipment should not be installed in a residential area as it can radiate radio frequency energy that could interfere with radio communications, a situation the user would have to fix at their own expense.

CISPR 22 WARNING: This is a Class B product. In a domestic environment this product may cause radio interference in which case the user may be required to take adequate measures.

POWER SUPPLY REQUIREMENTS: For use with listed Audio/Video Product and only connected to 15W or less power supply. Power supply should be a NEC Class 2 / LPS Supply.

EQUIPMENT MODIFICATION CAUTION: Equipment changes or modifications not expressly approved by seller, the party responsible for FCC compliance, could void the user's authority to operate the equipment and could create a hazardous condition.

Please visit our website for more information:
www.devieurop.com