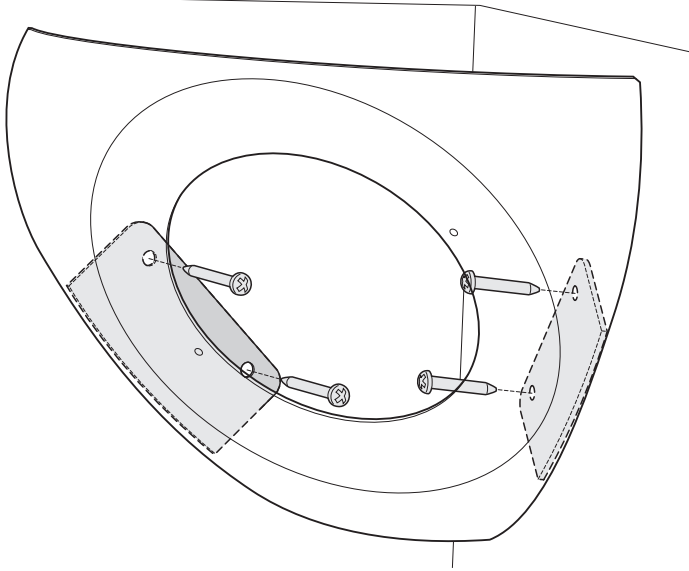
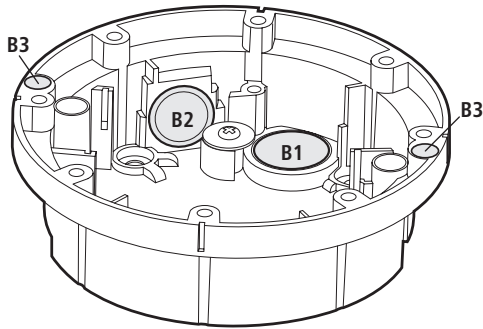


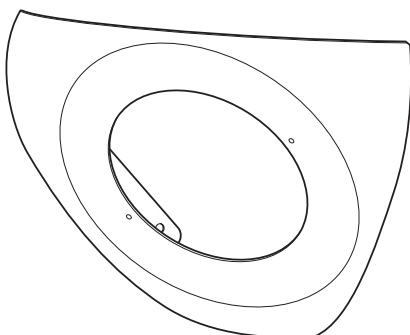
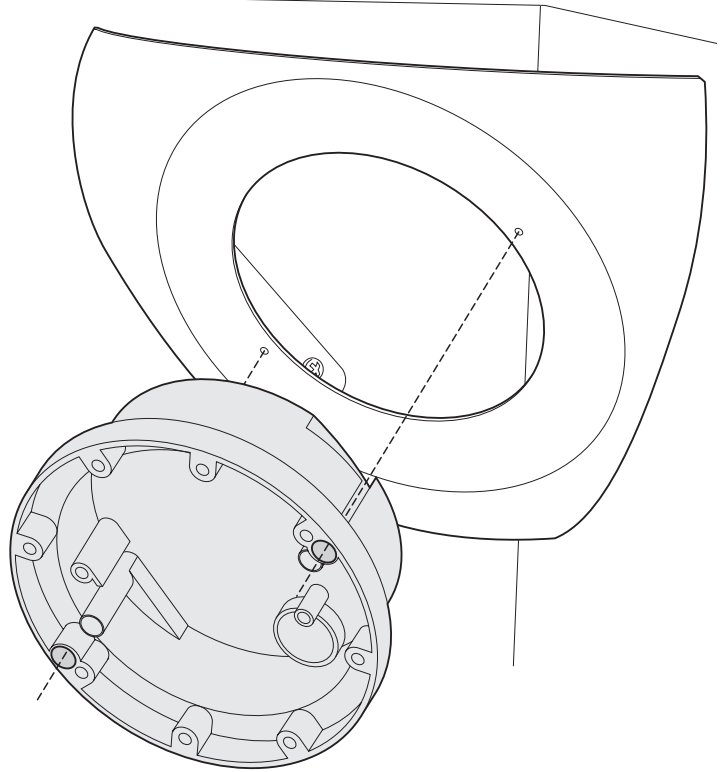
A

Position the corner mount in the required position. Use screws and wall plugs (as appropriate to the wall surfaces) to fix the corner mount in position. Access to the screw positions is gained through the open front aperture of the corner mount.

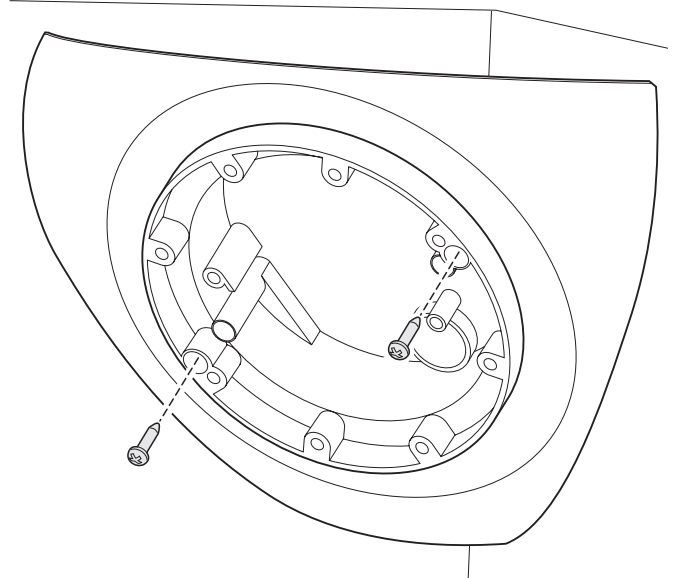
B

With the camera assembly removed, decide which entry point will be used either (B1) the 3/4" conduit entry or (B2) the 1/2" side conduit entry and remove the appropriate plug. Carefully drill (or tap out) the mounting holes (B3).

Polycarbonate Vandal Dome Corner Mount Installation Sheet

**C**

Place the dome enclosure (remove the outer ring, if fitted) within the front aperture of the corner mount. Align the two enclosure mounting holes indicated, with the corresponding threaded holes within the front face of the corner mount.

D

Use the supplied screws to secure the dome enclosure to the corner mount. Continue reassembling, wiring and focussing the dome and its camera according to the supplied instruction sheets.

Specifications

- Weight: 19oz (540g) net
- Dimensions: 8.8" x 8.8" x 1.6"
(223 x 223 x 42.5mm)
- Material: Powder coated mild steel

Packing list

- In addition to this installation sheet:
- 1 x Polycarbonate vandal dome corner mount adaptor
 - 2 x M4 mounting screws

Please visit our website for more information:
www.devieurope.com

VDCPM/ V531-DC006-S00
Ver. 2008/01

